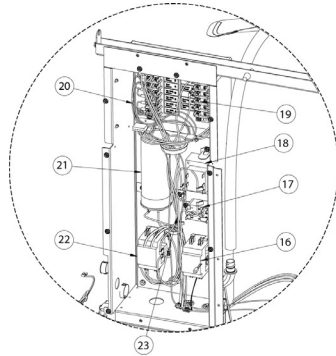


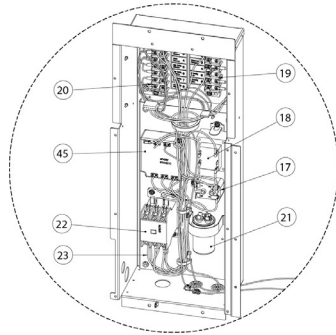
# ULTRATEMP® HEAT PUMP

460930, 460931, 460932, 460933, 460934, 460935, 460936, 460937, 460938,  
460958, 460959, 460960, 460961, 460962, 460963, 460964, 460965, 460967

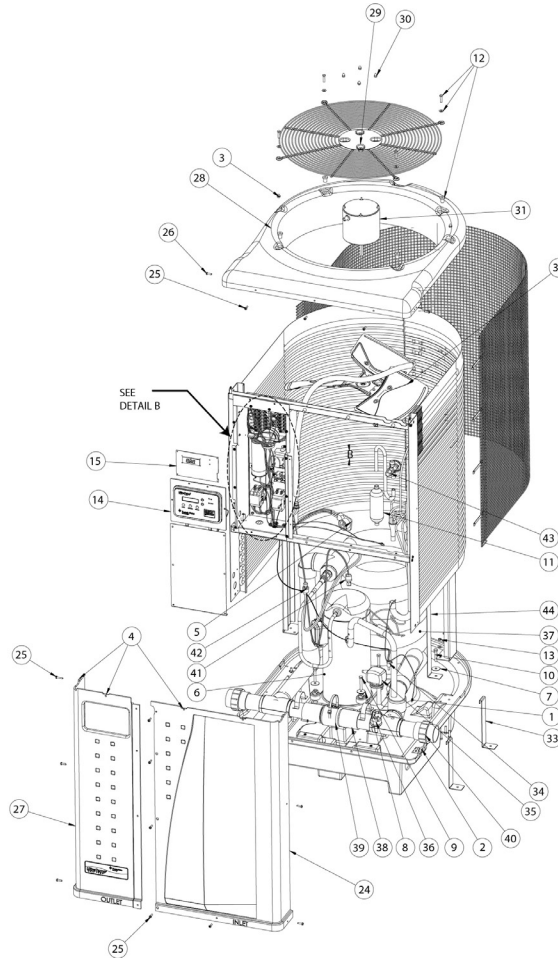
## REPLACEMENT PARTS



DETAIL B – Single Phase



DETAIL B – Three Phase



Item	Part No.	Description	US List	Can. List
ULTRATEMP REPLACEMENT PARTS				
1	473665	PROBE THERMISTOR DEFROST SENSOR	40.79	42.01
2	470284	NUT, J-CLIP	2.86	2.95
3	473285	NUT, 1/4-20 SS ACORN	1.19	1.23
4	470281	NUT, U-CLIP	2.39	2.46
5	473732	WIRE HARNESS, COMPRESSOR (1PH-60HZ)	90.36	93.07
5	474009	WIRE HARNESS, COMPRESSOR (1PH-50HZ)	94.31	97.14
5	474010	WIRE HARNESS, COMPRESSOR [3-PHASE MODELS]	93.91	96.73
6	473734Z	COMPRESSOR, SCROLL ZP83 (MODEL 120, 120HC, 140, 140 HC)	2,508.78	2,584.04

Item	Part No.	Description	US List	Can. List
ULTRATEMP REPLACEMENT PARTS				
6	473734Z	COMPRESSOR, SCROLL ZP83 (MODEL 120, 120HC)	2,508.78	2,584.04
6	473735Z	COMPRESSOR, SCROLL ZP70 (MODEL 110)	2,226.71	2,293.51
6	474011Z	COMPRESSOR KIT, SCROLL HLJ83 [3-PHASE MODEL 120C ONLY]	2,485.74	2,560.31
6	473780Z	COMPRESSOR SCROLL HLJ072 (MODEL 90I)	2,397.89	2,469.83
6	474081Z	COMPRESSOR SCROLL HLJ083 (MODEL 100I)	2,637.69	2,716.82
6	474241Z	COMPRESSOR SCROLL ZP61 (MODEL 90)	2,022.41	2,083.08
6	474291Z	COMPRESSOR SCROLL ZP49 (MODEL 70)	1,724.99	1,776.74

## ULTRATEMP® HEAT PUMP (CONT'D)

## REPLACEMENT PARTS

Item	Part No.	Description	US List	Can. List
<b>ULTRATEMP REPLACEMENT PARTS</b>				
7	473295	FENDER WASHER	1.19	1.23
8	473736	COMPRESSOR ISOLATION KIT, GROMMET AND SPACER 1 SET	25.65	26.42
9	473745	BOLT 5/16-18 x 2 in. SS	4.16	4.28
10	98219800	BOLT 5/16-18 x 1 in. SS	1.42	1.46
11	473121	DRIER (ALL MODELS EXCEPT 120HC, 140HC)	88.41	91.06
11	473139	DRIER (MODEL 120HC, 140HC)	262.66	270.54
12	470441	FAN GUARD FASTENER KIT	7.30	7.52
13	071406	NUT, 1/4-20 HEX SS	1.42	1.46
14/15	472734	BEZEL, CONTROL BOARD AND LABEL KIT	407.89	420.13
16	473603	PUMP CONTACTOR AUTOHEAT (MODEL 70, 90, 110, 120, 120HC, 140, 140HC, 100I ONLY)	55.34	57.00
17	473150	FAN RELAY	103.54	106.65
17	474016	FAN RELAY (3PH-50HZ ONLY)	111.90	115.26
18	473155	TRANSFORMER	151.32	155.86
18	473790	TRANSFORMER (3PH-50HZ ONLY)	159.86	164.66
19	473422	WIRE HARNESS TERMINAL BLOCK- FAN, COMPRESSOR	77.95	80.29
20	473315	WIRE HARNESS, TERMINAL BLOCK- SENSORS	95.18	98.04
21	473731	CAPACITOR (MODEL 70, 90, 110, 120, 120HC ONLY)	87.69	90.32
21	473154	CAPACITOR (3-PHASE MODEL 120C ONLY)	55.86	57.54
21	470146	CAPACITOR (MODEL 100I)	76.88	79.19
22	473149	CONTACTOR, HEAT PUMP (ALL SINGLE PHASE MODELS)	160.79	165.61
22	473778	CONTACTOR, HEAT PUMP (3-PHASE MODELS)	412.38	424.75
23	473423	WIRE HARNESS, MAIN (ALL SINGLE PHASE MODELS)	75.47	77.73
23	474021	WIRE HARNESS, MAIN (3-PHASE MODEL 120C ONLY)	137.45	141.57
23	474031	WIRE HARNESS, MAIN (3-PHASE MODEL 90I ONLY)	143.88	148.20
24	473742	PANEL, FRONT RIGHT, 36 in. ALMD.	220.31	226.92
24	474194	PANEL, FRONT RIGHT, 36 in. BLACK	220.31	226.92
24	473431	PANEL, FRONT RIGHT (MODEL 100I ONLY)	215.17	221.63
24	473412	PANEL, FRONT RIGHT (MODEL 70, 90, 90I ONLY)	188.91	194.58
24	474265	PANEL, FRONT RIGHT (MODEL 70 BLACK, 90 BLACK)	CALL	CALL
25	470159	SCREW #10 x .75 in. PAN HEAD PHILLIPS, ALMOND HEAD	1.19	1.23
25	474198	SCREW #10 x .75 in. PAN HEAD PHILLIPS, BLACK HEAD	1.19	1.23
26	470161	SCREW #10 x 1 in. BUTTON HEAD TORX, ALMOND HEAD	1.19	1.23
26	474197	SCREW #10 x 1 in. BUTTON HEAD TORX, BLACK HEAD	1.19	1.23
27	473755	PANEL, FRONT LEFT, W/ DECAL	233.05	240.04
27	474196	PANEL, FRONT LEFT, W/ DECAL, 36 in. BLACK	233.05	240.04
27	474202	PANEL, FRONT LEFT, W/ DECAL (MODEL 100I ONLY), 36 in.	227.27	234.09
27	474203	PANEL, FRONT LEFT, W/ DECAL (MODEL 70, 90, AND 90I ONLY)	213.84	220.26

Item	Part No.	Description	US List	Can. List
27	474249	PANEL, FRONT LEFT, W/ DECAL, 24 in. BLACK	CALL	CALL
28	473773	HP TOP	398.94	410.91
28	474193	HP TOP, BLACK	398.94	410.91
29	473786	GUARD, FAN	146.69	151.09
30	470439	NUT, #10-32 SS ACORN	4.76	4.90
31	473785	FAN MOTOR W/ ACORN NUT KIT	357.97	368.71
31	474030Z	FAN MOTOR W/ ACORN NUT KIT (MODEL 90I ONLY)	495.57	510.44
31	474323Z	FAN MOTOR W/ACORN NUT KIT (MODEL 140 AND 140HC ONLY)	CALL	CALL
32	473783	FAN BLADE (60 Hz)	168.69	173.75
32	474230	FAN BLADE (50 Hz)	168.69	173.75
32	474322	FAN BLADE (MODELS 140 AND 140HC ONLY)	CALL	CALL
33	470137	TIE DOWN BRACKET	18.46	19.01
34	471566	PROBE THERMISTER - WATER TEMPERATURE	48.07	49.51
35	473606	WATER PRESSURE SWITCH BOOT	6.20	6.39
36	473605	WATER PRESSURE SWITCH	70.73	72.85
37	473992	TITANIUM HEAT EXCHANGER	2,941.46	3,029.70
37	472736	TITANIUM HEAT EXCHANGER (MODEL 100I AND 90 ONLY)	2,939.82	3,028.01
37	472737	TITANIUM HEAT EXCHANGER (MODEL 70, 90I ONLY)	2,585.56	2,663.13
38	473774Z	WATER BYPASS MANIFOLD W/ 2 STREET ELBOWS	452.56	466.14
39	R172305	WATER BYPASS CHECK VALVE	42.44	43.71
40	473381	UNION PVC 2 in.	26.04	26.82
41	473656	SWITCH, LOW PRESSURE	106.82	110.02
42	473744	SWITCH, HIGH PRESSURE	87.20	89.82
43	473787	THERMOSTATIC EXPANSION VALVE (MODEL 120, 120C, 90I)	229.95	236.85
43	473999	THERMOSTATIC EXPANSION VALVE (MODEL 120HC, 110)	229.95	236.85
43	474248	THERMOSTATIC EXPANSION VALVE (MODEL 100I)	229.94	236.84
43	474242	THERMOSTATIC EXPANSION VALVE (MODEL 70, 90)	CALL	CALL
43	474327	THERMOSTATIC EXPANSION VALVE (MODELS 140, 140HC)	CALL	CALL
44	473657	TITANIUM WATER COIL TIE DOWN STRAP (2 ON MODEL 70, 90I, 1 ON MODEL 90 & 100I)	33.00	33.99
44	473772	TITANIUM WATER COIL TIE DOWN STRAP (1 ON ALL MODELS EXCEPT MODEL 90I)	47.93	49.37
44	473789	TITANIUM WATER COIL TIE DOWN STRAP (1 ON ALL MODELS EXCEPT MODELS 90, 90I & 100I)	73.10	75.29
45	474089	PHASE MONITOR	230.67	237.59
<b>NOT SHOWN</b>				
	473135	REVERSING VALVE (Model 120HC) [not shown] FOR HEAT COOL ONLY	822.07	846.73
	473432	REVERSING SOLENOID (Model 120HC) [not shown] FOR HEAT COOL ONLY	194.49	200.32
	474270Z	TITANIUM COIL WATER SIDE REPAIR KIT	89.22	91.90
	474237	COMPRESSOR HARNESS CLIP	7.98	8.22