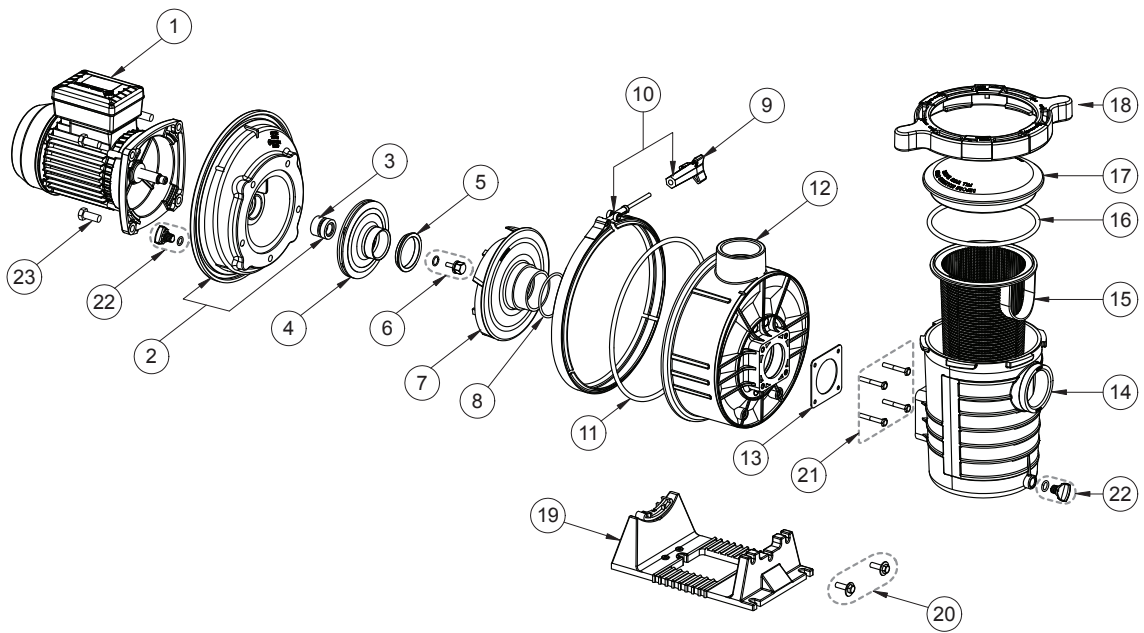


ULTRAFLOW® PLUS



ULTRAFLOW[®] PLUS

Replacement Parts

No.	Part No.	Description	Part No. Includes*
1**	RP071	Motor - Mono Phase 0,55kW	1
	RP073	Motor - Tri Phase 0,55kW	1
	RP101	Motor - Mono Phase 0,75kW	1
	RP103	Motor - Tri Phase 0,75kW	1
	RP151	Motor - Mono Phase 1,10kW	1
	RP153	Motor - Tri Phase 1,10kW	1
	RP201	Motor - Mono Phase 1,50kW	1
	RP203	Motor - Tri Phase 1,50kW	1
	RA-H1	Motor - Mono Phase 2,20kW	1
	RA-H3E2	Motor - Tri Phase 2,20kW	1
2	R39004910	Seal plate incl. Mechanical Seal	1
		Mechanical Seal	
3	R354545SP	(for pumps manufactured after Feb 2010)	1
		Mechanical Seal	
	R071734SP	(for pumps manufactured before Feb 2010)	1
4	R39005000	Impeller 0,55KW	1
	R39005100	Impeller 0,75KW	1
	R39005300	Impeller 1,10KW	1
	R39005400	Impeller 1,50KW	1
	R39010400	Impeller 2,20KW	1
5	R39006900	Wear Ring (0,55KW - 1,50KW)	1
6	R39009900	Impeller Lock Screw & O-Ring	1
7	R39005500	Diffuser 0,55KW - 1,10KW	1
	R39015500	Diffuser 1,50KW - 2,20KW	1
8	R39006600	Seal Diffuser	1
9	RWC3622	Knob for Clamp C19-37A	1
	R39302700	Knob for Clamp P-39302800 - Pre 2009	1
10	RC1937A	Clamp Assembly	1
	R39302800	Clamp Assembly for pumps Pre 2009 only	1
11	R39006000	O-Ring	1
12	R39007002	Volute	1
	R39007003	Booster Volute	1
13	R39501200	Square Gasket	1
14	R39017102	Strainer Pot	1
15	R39303500	Basket	1
16	R39300600	O-Ring	1
17	R39301799	Lid	1
18	R39105000	Locking Ring	1
19	R39005800	Base 0,55KW - 1,50KW	1
	R390058MA	Base 2,20KW	1
20	R98219800	Bolts & Washers	2
21	R070979	Bolts	4
22	R98207700	Drain Plug & O-Ring	2
23	R98220500	Nuts & Washers	4
	P-UFL-OSET	Seal Set (Partn° 3, 5, 8, 11, 13, 16)	

* PART NUMBER INCLUDES REQUIRED QUANTITY PER PRODUCT

** SEE MOTOR SHEET FOR MOTOR SPARE PARTS

FILTERS

FILTER SYSTEMS

VALVES

PUMPS

MOTORS

CLEANERS

WATER FEATURES

LIGHTS

SALT CHLORINATORS

DOSING & MEASURING

SANITIZERS

MAINTENANCE ACCESSORIES