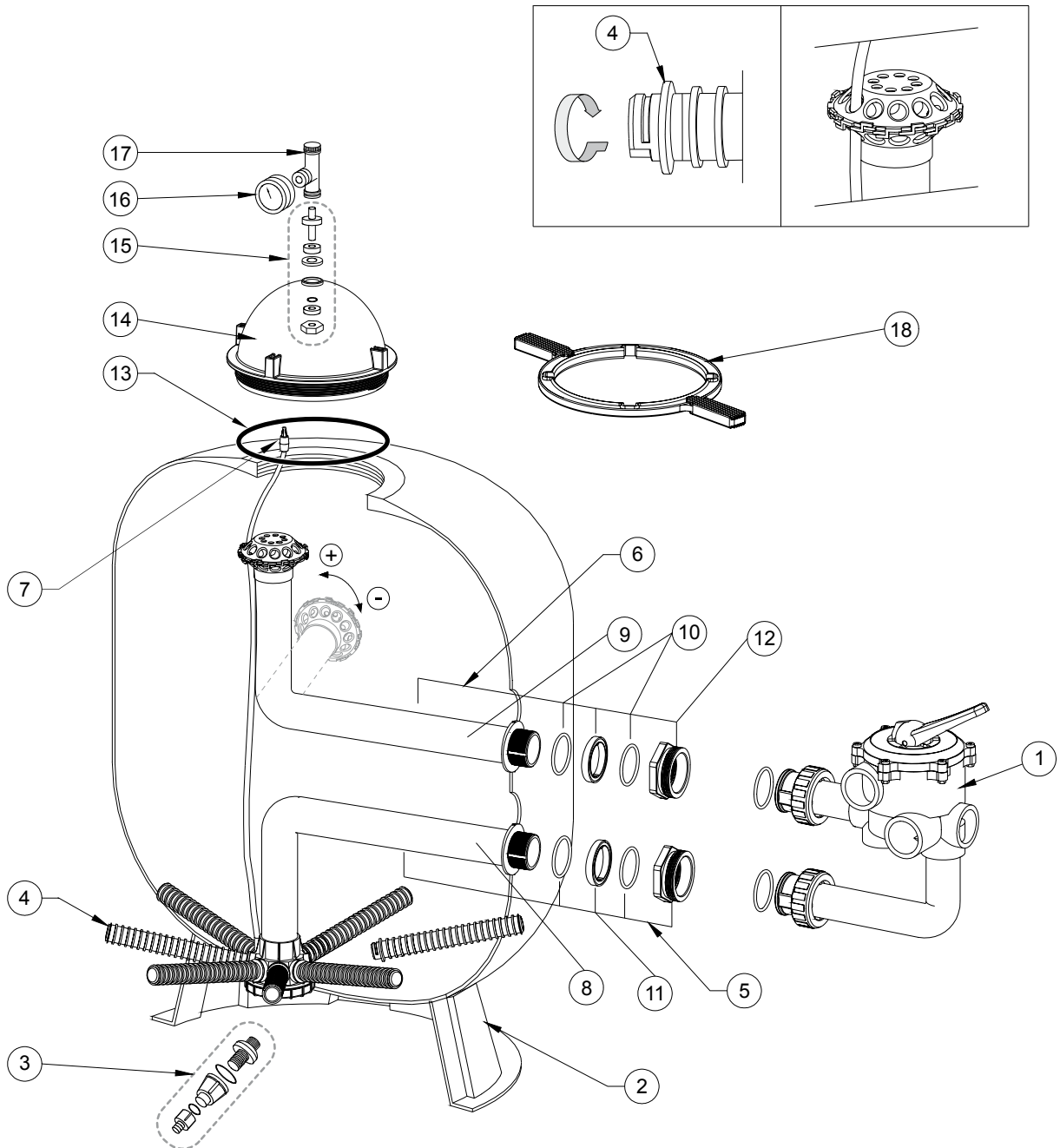


# TRITON® / TRITON® II



## TRITON<sup>®</sup> / TRITON<sup>®</sup> II

### Replacement Parts

No.	Part No.	Description	Part No. Includes
<b>1**</b>	RE261070ND	Valve 1 1/2" 6-Way (for 19" & 24")	1
	RE261071ND	Valve 2" 6-Way (for 30" & 36")	1
<b>2</b>	RBASEUNI1	Base (19" & 24")	1
	RBASEUNI2	Base (30" & 36")	1
<b>3</b>	R154696	Drain Kit High Flow	1
<b>4</b>	R301904	Lateral 19"	1*
	R302404	Lateral 24"	1*
	R303004	Lateral 30"	1*
	R303604	Lateral 36"	1*
	R301904CP	Lateral Clear Pro 19"	1*
	R302404CP	Lateral Clear Pro 24"	1*
	R303004CP	Lateral Clear Pro 30"	1*
	R303604CP	Lateral Clear Pro 36"	1*
<b>5</b>	G-30-1905	Bottom Diffuser System 19" (incl.8,10,11,12)	1
	G-30-2405	Bottom Diffuser System 24" (incl.8,10,11,12)	1
	G-30-3005	Bottom Diffuser System 30" (incl.8,10,11,12)	1
	G-30-3605	Bottom Diffuser System 36" (incl.8,10,11,12)	1
	G-30-1905CP	Bottom Diff. Sys.19" Clear Pro (incl.8,10,11,12)	1
	G-30-2405CP	Bottom Diff. Sys.24" Clear Pro (incl.8,10,11,12)	1
	G-30-3005CP	Bottom Diff. Sys.30" Clear Pro (incl.8,10,11,12)	1
	G-30-3605CP	Bottom Diff. Sys.36" Clear Pro (incl.8,10,11,12)	1
<b>6</b>	G-30-1906	Top Diffuser System 19" (incl.9,10,11,12)	1
	G-30-2406	Top Diffuser System 24" (incl.9,10,11,12)	1
	G-30-3006	Top Diffuser System 30" (incl.9,10,11,12)	1
	G-30-3606	Top Diffuser System 36" (incl.9,10,11,12)	1
<b>7</b>	RTTAIR	Air Relief Strainer	1
<b>8</b>	G-30-1908	Bottom Pipe and Hub Set 19"	1
	G-30-2408	Bottom Pipe and Hub Set 24"	1
	G-30-3008	Bottom Pipe and Hub Set 30"	1
	G-30-3608	Bottom Pipe and Hub Set 36"	1
	G-30-1908CP	Bottom Pipe and Hub Set 19" Clear Pro	1
	G-30-2408CP	Bottom Pipe and Hub Set 24" Clear Pro	1
	G-30-3008CP	Bottom Pipe and Hub Set 30" Clear Pro	1
	G-30-3608CP	Bottom Pipe and Hub Set 36" Clear Pro	1
<b>9</b>	G-30-1909	Top Pipe and Diffuser Set 19"	1
	G-30-2409	Top Pipe and Diffuser Set 24"	1
	G-30-3009	Top Pipe and Diffuser Set 30"	1
	G-30-3609	Top Pipe and Diffuser Set 36"	1
<b>10</b>	R154492	O-Ring	2
<b>11</b>	RTTADR	External Adjusting Ring	2
<b>12</b>	RTTBHD	Bulkhead	2
<b>13</b>	R152501W	O-Ring	1
<b>14</b>	R152500	8 1/2" Closure Dome	1
<b>15</b>	R154687	Adaptor Piece in brass	1
<b>16</b>	R152046	Manometer - Pressure Gauge (Back Connection)	1
<b>17</b>	R154689	Manual Plastic Air Bleed Valve	1
<b>18</b>	R154513	Wrench for 8 1/2" Closure Dome	1
	G-15-4600	Closure Kit (incl.13, 14, 15, 16 & 17)	
	RWRENCHTT	Metal Wrench for bulkheads	1

\* ONE FILTER REQUIRES 8 PIECES

\*\* SEE VALVE SHEET FOR VALVE SPARE PARTS