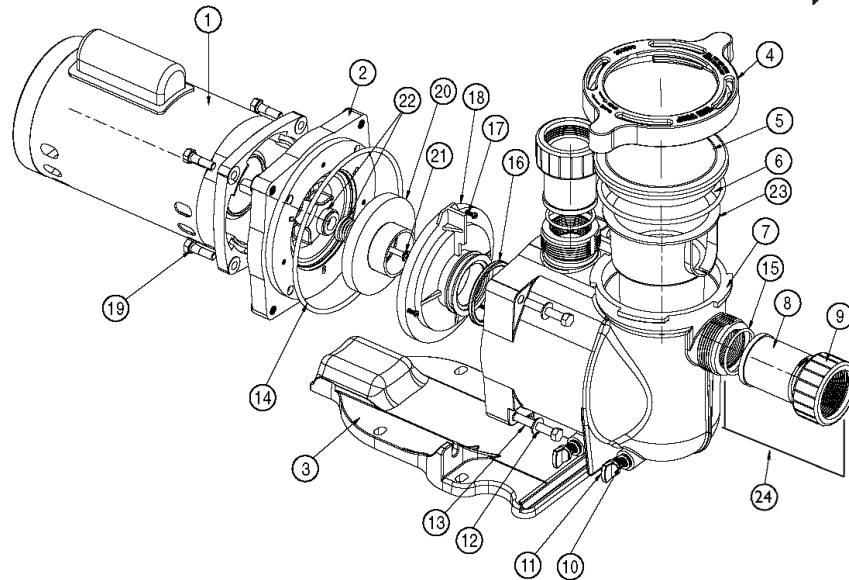


SUPERFLO® PUMP

REPLACEMENT PARTS



Item	Part No.	Description	US List	Can. List
SINGLE SPEED SUPERFLO MOTORS				
1	355018S	1/2 HP Motor SQFL, 1 Speed, 1 phase, 60 Hz, 230/115V, almond	258.63	266.39
1	355018S	3/4 HP Motor SQFL, 1 Speed, 1 phase, 60 Hz, 230/115V, almond	258.63	266.39
1	355020S	1 HP Motor SQFL, 1 Speed, 1 phase, 60 Hz, 230/115V, almond	304.96	314.11
1	355022S	1-1.2 HP Motor SQFL, 1 Speed, 1 phase, 60 Hz, 230/115V, almond	339.01	349.18
1	355024S	2 HP Motor SQFL, 1 Speed, 1 phase, 60 Hz, 230/115V, almond	420.04	432.64
1	355026S	2-1/2 HP Motor SQFL, 1 Speed, 1 phase, 60 Hz, 230V, almond	496.13	511.01
2 SPEED SUPERFLO MOTORS				
1	355003S	1 HP Motor SQFL, 2 Speed, 1 phase, 60 Hz	402.92	415.01
1	356630S	1-1/2 HP Motor SQFL, 2 Speed, 1 phase, 60 Hz	456.28	469.97
1	071320S	2 HP Motor SQFL, 2 Speed, 1 phase, 60 Hz	552.44	569.01
ENERGY EFFICIENT SUPERFLO MOTORS				
1	355008S	SF-N1-1-AE	325.78	335.55
1	355010S	SF-N1-1-1/2 -AE	353.76	364.37
1	355012S	SF-N1-2-AE	416.70	429.20
1	355014S	SF-N1-2-1/2 -AE	496.48	511.37
SUPERFLO PUMPS				
2	356012	Seal plate	79.78	82.17
3	350094	Base	88.12	90.76
4	350090	Clamp, Cam & Ramp®	37.07	38.18
5	350091	Lid	29.74	30.63
6	357255	O-ring, lid No. 2-357	5.05	5.20
7	350089	Volute	269.32	277.40
8	350093	Adaptor, 2 req.	16.64	17.14
9	350092	Nut, 2 req.	17.85	18.39
10	192115	O-ring drain plug, 2 req.	1.15	1.18
11	071131	Drain plug, 2 req.	5.63	5.80

Item	Part No.	Description	US List	Can. List
12	355621	Screw, 3/4-16 x 2-1/4 Hex hd, 4 req.	4.57	4.71
13	072184	Washer, 3/8 in. SS, 4 req.	1.42	1.46
14	355619	O-ring, 1 req.	9.91	10.21
15	6020018	O-ring adaptor No.2-226, 2 req.	0.30	0.31
16	355030	Seal diffuser	8.58	8.84
17	355334	Screw, No.8-32 hex washer HD, 3 req.	1.42	1.46
SUPERFLO DIFFUSERS				
18	355617	Diffuser, 1/2 HP	87.89	90.53
18	355617	Diffuser, 3/4 HP	87.89	90.53
18	355617	Diffuser, 1 HP	87.89	90.53
18	355618	Diffuser, 1-1/2 HP	87.89	90.53
18	355618	Diffuser, 2 HP	87.89	90.53
18	350170	Diffuser, 2-1/2 HP	86.57	89.17
19	354290	Hex head screw, 3/8, 16, 4 req.	2.43	2.50
SUPERFLO IMPELLERS				
20	355043	Impeller 1/2 HP	49.83	51.32
20	355043	Impeller 3/4 HP	49.83	51.32
20	355067	Impeller 1 HP	50.81	52.33
20	355074	Impeller 1-1/2 HP	51.43	52.97
20	355086	Impeller 2 HP	51.78	53.33
20	355093	Impeller 2-1/2 HP	52.73	54.31
21	355389	Screw, impeller locking	1.42	1.46
22	354545S	Seal set	26.21	27.00
23	355667	Basket, large	19.92	20.52
KITS				
24	350157	Union Kit, items 8, 9 & 15 (2 of each included)	77.47	79.79
NOT SHOWN				
	79129900	2-Speed Toggle Switch	44.69	46.03