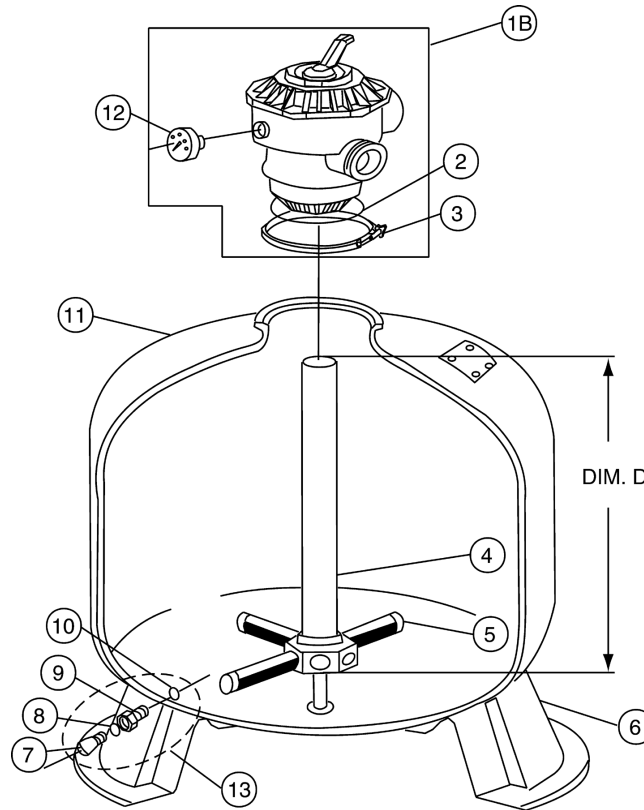


# SAND DOLLAR® FILTERS

## REPLACEMENT PARTS FOR BLOW MOLDED FILTERS



Item	Part No.	Description	US List	Can. List
<b>SAND DOLLAR SAND FILTERS</b>				
1B	262506	Valve 1-1/2 in. 6-way	190.33	196.04
1B	263085	Valve 2 in.	243.11	250.40
1B	262525	Valve 2 in. with unions	313.42	322.82
2	272541	O-ring valve body	7.30	7.52
3	152165	Assembly, plastic clamp 2 piece	22.41	23.08
4	155504	Piping assembly SD35, dim D = 16 in.	45.20	46.56
4	152229	Pipe assembly SD35 <sup>3</sup>	112.31	115.68
4	155062	Piping assembly SD40, dim D = 20-1/8 in.	43.40	44.70
4	152228	Pipe assembly SD40 <sup>3</sup>	103.67	106.78
4	155532	Piping assembly SD60, dim D = 25-1/4 in.	109.51	112.80
4	152227	Pipe assembly SD60 <sup>3</sup>	120.53	124.15
4	152000	Pipe assembly, SD70	119.93	123.53
4	152226	Pipe assembly SD80	94.50	97.34
4	152238	Pipe assembly SD80 2 in.	CALL	CALL

# SAND DOLLAR® FILTERS

## REPLACEMENT PARTS FOR BLOW MOLDED FILTERS

Item	Part No.	Description	US List	Can. List
<b>SAND DOLLAR SAND FILTERS</b>				
5	155007	Lateral 5, 11/32 in. long, almond, SD35, 8 req.	6.57	6.77
5	152290	Lateral 6, 11/16 in. long, almond, SD40/SD60, 8 req.	6.86	7.07
5	150084	Lateral, SD35, SD40, black <sup>3</sup>	6.26	6.45
5	150085	Lateral XLong, SD60, SD70, SD80, black <sup>3</sup>	7.83	8.06
6	154926	Foot, SD35	89.62	92.31
6	150088	Lateral, ClearPro 6 req	97.12	100.03
6	154520	Foot, SD40, SD60, SD70, & SD80 <sup>1</sup>	92.36	95.13
7	154699	Plug, 1/4 in. NPT drain	CALL	CALL
8	154715	Gasket	5.19	5.35
9	154711	Drain	15.30	15.76
10	154715	Gasket	5.19	5.35
11	145339	Tank with drain SD35, almond	256.03	263.71
11	145341	Tank with drain SD40, almond	339.66	349.85
11	145343	Tank with drain SD60, almond	470.27	484.38
11	145368	Tank with drain SD70, almond	550.76	567.28
11	145334	Tank with drain SD80, almond	668.32	688.37
12	190059	Gauge, pressure	39.33	40.51
13	150053	Drain plug assembly <sup>2</sup>	CALL	CALL
13	150055	Drain plug assembly 80	46.85	48.26
<b>NOT SHOWN</b>				
	154712	1.5 in. drain cap	26.95	27.76
	154715	O-ring for drain cap	5.19	5.35
	272569	Kit Union for 2 in. Valve	75.87	78.15
	150119	Kit Union for 1-1/2 in. Valve	68.28	70.33

<sup>1</sup> Used on filters manufactured before 2/02.

<sup>2</sup> Includes items 7 through 10.

<sup>3</sup> Filters manufactured after 10/04.