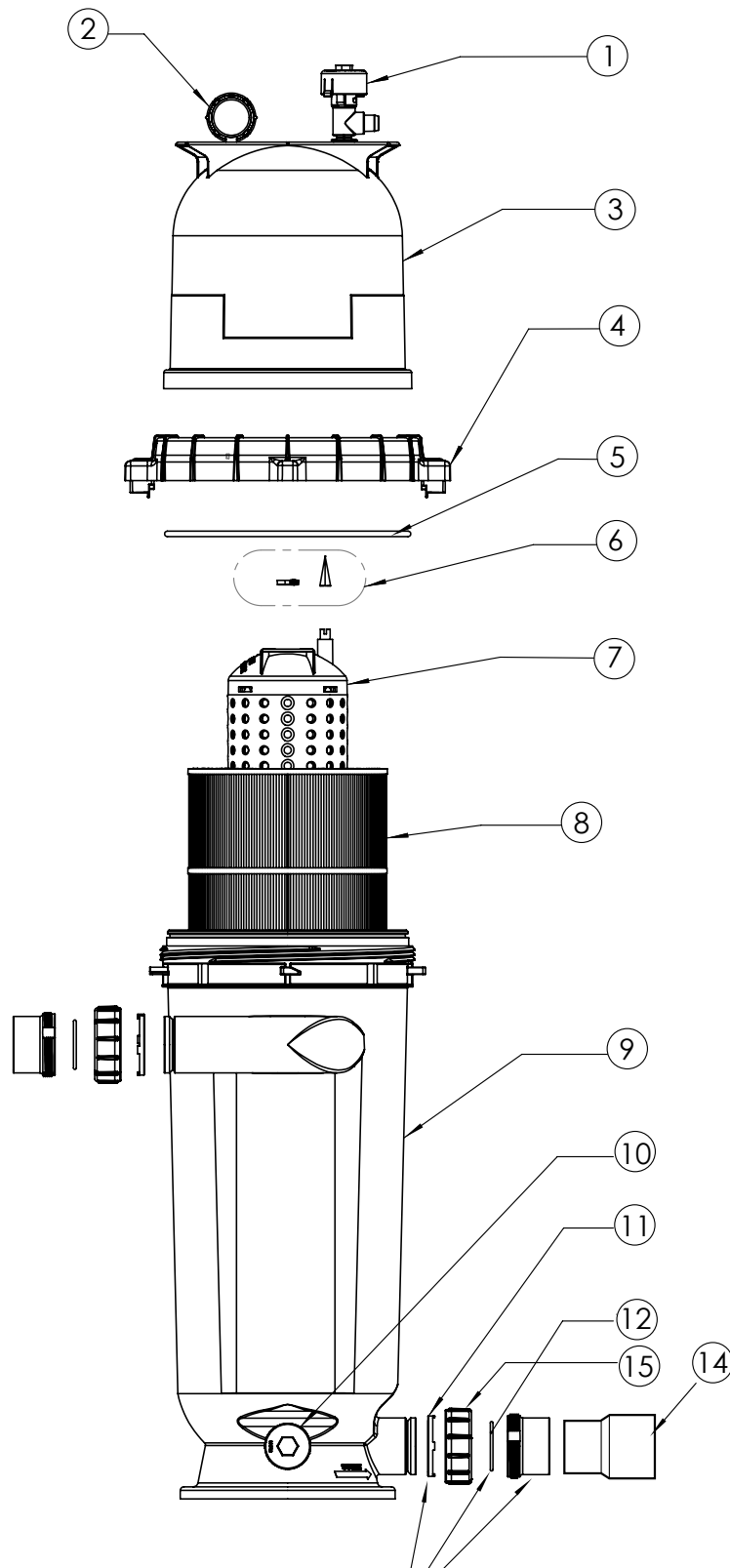


# POSI-CLEAR™ RP



## POSI-CLEAR™ RP

### Replacement Parts

No.	Part No.	Description	Part No. Includes
1	H-98209800	High Flow™ manual Air Relief Valve	1
2	R152047	Manometer - Pressure Gauge (bottom connection)	1
3	59053001	Lid, 100 sq.ft. Filter	1
	178745	Lid, 150 & 200 sq.ft. Filter	1
4	59052900	Locking Ring Assembly	1
5	H-87300400	O-Ring Body	1
6	H-59016200	Air Bleeder Sock Kit	1
7	H-59053700	Center Core, 100 sq.ft. Filter	1
	59053800	Center Core, 150 & 200 sq.ft. Filter	1
8	H-RAF173215	Cartridge Element, 100 sq.ft. Filter	1
	H-RAF173216	Cartridge Element, 150 sq.ft. Filter	1
	H-RAF173217	Cartridge Element, 200 sq.ft. Filter	1
9	178743	Tank Bottom	1
10	154712	Drain Cap Assembly	1
11	178732Z	Union Nut "C" Clip	2
12	178746	Union Diamond Seal	1
13	178733	Union, threaded half	1
14	R635050	EU Slip Fit Adaptors 50mm pipes	2
15	U11-200PS	Union Nut	1