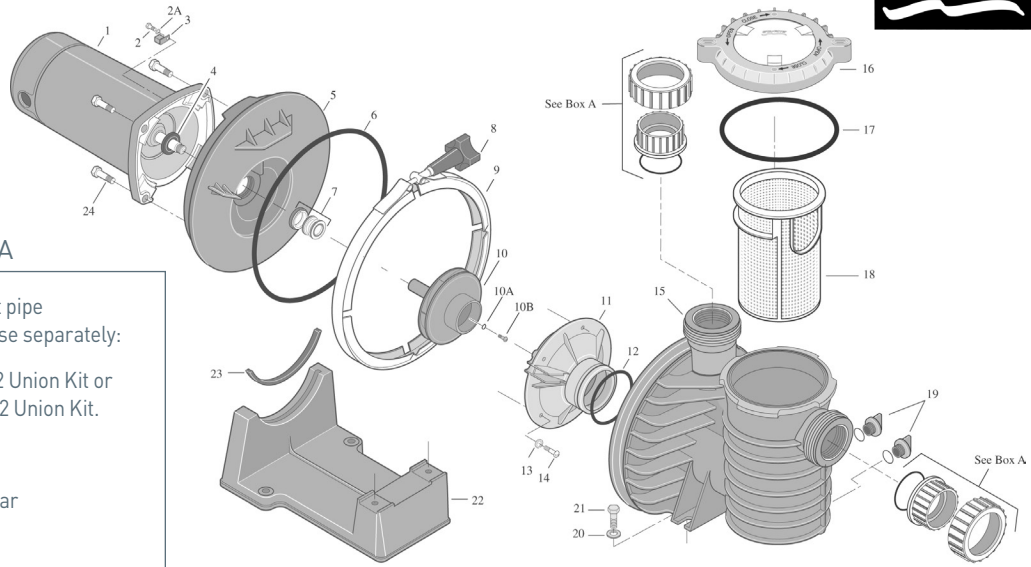


# MAX-E-PRO® SERIES PUMP

## REPLACEMENT PARTS



### Box A

For quick disconnect pipe connections, purchase separately:

Pkg. 188 2 in. Slip 1/2 Union Kit or  
Pkg. 189 2 in. NPT 1/2 Union Kit.

Includes 2 each:

U11-200P Union Collar

U9-362 O-Ring

U11-196P 2 in. Slip adapter or  
U11-199P 2 in. NPT adapter.

Model No.	HP	Motor No. (Item No. 1)	Impeller (Item No. 10)	Diffuser (Item No. 11)
1 PHASE 60 HZ PUMPS - 115/230 V 1-Speed				
P6E6C-204L	1/2	AE100CHL	C105-238PX	C1-271P1
P6E6D-205L	3/4	AE100DHL	C105-238P	C1-271P1
P6R6D-205L	3/4	355021S	C105-238P	C1-271P1
P6E6E-206L	1	AE100EHL	C105-238PB	C1-271P1
P6EA6E-205L	1	AE100ELL	C105-238P	C1-271P1
P6RA6E-205L	1	A100ELL	C105-238P	C1-271P1
P6R6E-206L	1	355023S	C105-238PB	C1-271P1
P6EA6F-206L	1-1/2	AE100FLL	C105-238PB	C1-271P1
P6RA6F-206L	1-1/2	A100FLL	C105-238PB	C1-271P1
P6R6F-207L	1-1/2	355025S	C105-238PDBA	C1-271P
1 PHASE 60 HZ PUMPS - 230V 1-Speed				
P6E6F-207L *	1-1/2	AE100FHL	17307-0116 <sup>5</sup> , C105-238PDBA <sup>6</sup>	56 C1-271P
P6EAA6F-216L *	1-3/4	AE100F5LL	C105238PDCA	56 C1-271P
P6RAA6F-216L *	1-3/4	A100F5LL	C105-238PDCA	56 C1-271P
P6E6G-208L *	2	AE100GHL	17307-0117 <sup>5</sup> , C105-238PEBA <sup>6</sup>	56 C1-271P
P6EA6G-207L *	2	AE100GLL	17307-0116 <sup>5</sup> , C105-238PDBA <sup>6</sup>	56 C1-271P
P6RA6G-207L *	2	A100GHL	17307-0116 <sup>5</sup> , C105-238PDBA <sup>6</sup>	56 C1-271P
P6R6G-208L	2	355027S	C105-238PEBA	C1-271P
P6EAA6G-208L *	2-1/2	AE100G5LL	17307-0117 <sup>5</sup> , C105-238PEBA <sup>6</sup>	56 C1-271P
P6E6H-209L *	3	AE100HLL	17307-0118 <sup>5</sup> , C105-238PLA <sup>6</sup>	56 C1-271P
P6EAA6G-208L	2-1/2		C105-238PEBA	C1-271P
P6R6H-209L	3	355034S	17307-0118 <sup>5</sup> , C105-238PLA <sup>6</sup>	C1-271P
1 PHASE 60 HZ PUMPS - 2-Speed				
P6RA6YF-206L **	1-1/2 (Hi Speed), 1/4 (Low Speed)	A100FLL-Y	C105-238PBA	C1-271P1
P6RA6YG-207L *	2 (Hi Speed), 1/3 (Low Speed)	AE100GLL-Y	17307-0116 <sup>5</sup> , C105-238PDBA <sup>6</sup>	C1-271P

<sup>5</sup> Pumps built after 8/29/07.

<sup>6</sup> Pumps built on or before 8/29/07.

# MAX-E-PRO® SERIES PUMP (CONT'D)

## REPLACEMENT PARTS



Model No.	HP	Motor No. (Item No. 1)	Impeller (Item No. 10)	Diffuser (Item No. 11)
3 PHASE 60 HZ PUMPS - 230/115 V 1 Speed				
P6R6C3-204	1/2	355206S	C105-238PXA	C1-271P1
P6R6D3-205	3/4	355201S	C105-238PA	C1-271P1
P6R6E3-206	1	355203S	C105-238PBA	C1-271P1
P6R6F3-207	1-1/2	355204S	C105-238PDBA	C1-271P
3 PHASE 60 HZ PUMPS - 230 V 1 Speed				
P6R6G3-208	2	355205S	C105-238PEBA	C1-271P
P6R6H3-209	3	355398S	17307-0118 <sup>5</sup> , C105-238PLA <sup>6</sup>	C1-271P
3 PHASE 60 HZ PUMPS - 200/400v 1 Speed				
P6R62D3-186	3/4	AP100DH2	C105-238A	C1-271P1
P6R62E3-187	1	AP100EH2	C105-238PBA	C1-271P1
P6R62F3-188	1-1/2	AP100FH2	C105-238PDBA	C1-271P
P6R62G3-189	2	AP100GH2	C105-238PEBA	C1-271P

Model No.	HP	Motor No. (Item No. 1)	Impeller (Item No. 10)	Diffuser (Item No. 11)	Motor Base
575 Volts, 3-Phase Models:					
P6EA6D36-204 *	3/4	16502-0024	C105-238PX	C1-271P1	C104-79P
P6EA6E36-205 *	1	16503-0024	C105-238P	C1-271P1	C104-79P
P6EA6G36-207	2	62001-1020	17307-0116 <sup>5</sup> , C105-238PDBA <sup>6</sup>	C1-271P	C104-79P
P6E6H36-209	3	62001-1021	17307-0118 <sup>5</sup> , C105-238PLA <sup>6</sup>	C1-271P	C104-79P

Item	Part No.	Description	US List	Can. List
MAX-E-PRO SERIES REPLACEMENT PARTS				
1	Chart	Motor		
2	U30-692SS	#10-32 x 1/2 in. Screw	1.89	1.95
2A	U43-22SS	Lock Washer	1.69	1.74
3	U17-568	Bonding Lug	9.96	10.26
4	17351-0009	Water Slinger	1.72	1.77
5	C203-194P	Seal Plate Kit (Incl. Part Nos. 6, 7)	153.07	157.66
6	U9-228A	O-Ring	8.92	9.19
7	37400-0028S	Shaft Seal, Viton	35.47	36.53
8	WC36-22	Clamp Knob	11.72	12.07
9	C19-37A	Clamp	95.35	98.21
10	Chart	Impeller		
10A	35505-1426	Impeller Screw O-Ring	0.96	0.99
10B	Chart	Impeller Screw		
11	Chart	Diffuser		
12	U9-374	Diffuser O-Ring	5.01	5.16
13	U43-21SS	#8 Lock Washer	1.55	1.60
14	U30-542SS	Screw (w/ C1-271P1 Diffuser)	2.00	2.06
15	17307-0110S	Tank Body Assembly <sup>2</sup>	284.05	292.57
16	17307-0111S	Trap Cover Assembly <sup>1</sup>	64.24	66.17
17	35505-1440	Trap O-Ring	16.99	17.50

Item	Part No.	Description	US List	Can. List
18	C8-58P	Basket	12.60	12.98
19	U178-920P	1/4 in. NPT Drain Plug	3.05	3.14
19	U9-359	Drain Plug O-Ring	0.69	0.71
20	U43-41SS	Base Washer	1.82	1.87
21	U30-918SS	Base Screw	4.51	4.65
22	C4-78P	Base w/ Motor Pad ***	41.49	42.73
22	C104-79P	Base w/ Motor Pad (3 HP only)	42.46	43.73
23	C35-43	Motor Pad	4.97	5.12
23	C35-44	Motor Pad (3 HP only)	7.34	7.56
24	U30-74SS	3/8-16 x 1 in. Hex Hd. Screw	4.01	4.13

<sup>1</sup> Includes Trap Cover, Trap Ring and Trap Cover O-Ring.

<sup>2</sup> Includes Trap Body, Basket, Drain Plugs, and Trap Cover Assembly.

<sup>3</sup> Uses Key No. 10B Impeller Screw No. 37337-6080.

<sup>4</sup> Uses Key No. 10B Impeller Screw No. 37337-6081.