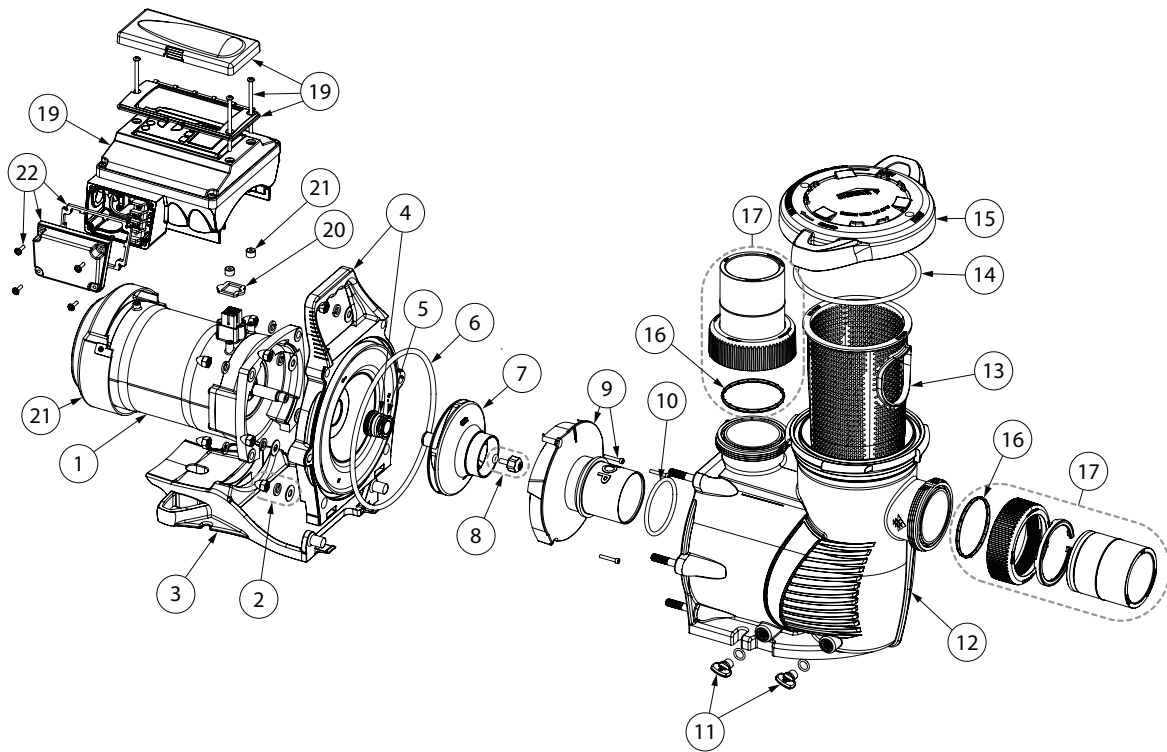


INTELLIFLO® 5PXF™ VSD



INTELLIFLO®

5PXF-VSD™

Replacement Parts

No.	Part No.	Description	Part No. Includes*
1	R357294	Intelli VFD Motor	1
2	R071413	Acorn Fastener Kit	10
3	R401004	Base	1
4	R401002	Seal plate w/ Mechanical Seal	1
5	R374000028	Mechanical Seal	1
6	R351446	O-Ring	1
7	R400015	Impeller 2,20KW	1
8	R373376080	Impeller Lock Screw	1
9	R400010	Diffuser 2,20KW	1
10	R350336	O-Ring	1
11	R357161	Drain Plugs	2
12	R401000	Pump Body Assembly (includes partn° 11, 13, 14 & 15)	1
13	R400007	Basket	1
14	R355051440	O-Ring	1
15	R401006	Lid & Lock Assembly	1
16	R410006Z	Diamond Seal Set	2
17	R411000	Union Set	2
18	R357290	Control Cover Assembly	1
19	R358290E	VSD - Variable Speed Drive	1
20	R350108	Gasket	1
21	R350142	Spacer Cap	3
22	R352501	Fan & Shroud	1
23	353310	Cover Assembly	1
	PPXF	Seal Set (Partn° 5, 6, 10, 14 & 16)	

* PART NUMBER INCLUDES REQUIRED QUANTITY PER PRODUCT

FILTERS

FILTER
SYSTEMS

VALVES

PUMPS

MOTORS

CLEANERS

WATER
FEATURES

LIGHTS

SALT
CHLORINATORS

DOSING &
MEASURING

SANITIZERS

MAINTENANCE
ACCESSORIES