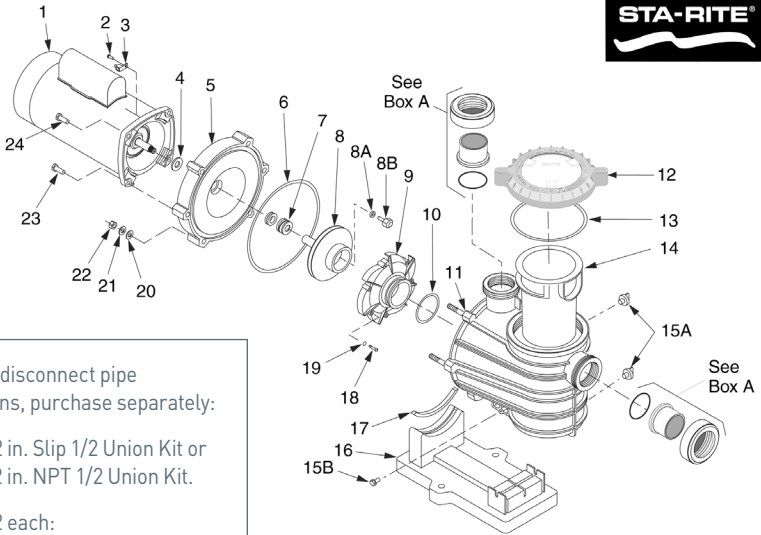


# DYNA-PRO® / DYNA-PRO® E PUMPS

1/2 THROUGH 2-1/2 HP MODELS, SINGLE SPEED AND TWO SPEED REPLACEMENT PARTS

## Motor Chart

Model No.	HP	Motor No. (Key No. 1)
<b>Single Speed 115/230/60/1</b>		
MPRA6D-204L	3/4	A100DLL
MPRA6E-205L	1	A100ELL
MPRA6F-206L	1-1/2	A100FLL
MPEA6D-204L	3/4	AE100DLL
MPEA6E-205L	1	AE100ELL
MPEA6F-206L	1-1/2	AE100FLL
MPE6C-204L	1/2	AE100CHL
MPE6D-205L	3/4	AE100DHL
MPE6E-206L	1	AE100EHL
<b>230/60/1</b>		
MPRA6G-207L	2	A100GLL
MPEA6G-207L	2	AE100GLL
MPEAA6G-208L	2-1/2	AE100G5LL
MPE6F-207L	1-1/2	AE100FHL
MPE6G-208L	2	AE100GHL
<b>Two Speed 230/60/1</b>		
MPRA6YF-206L	1-1/2	A100FLL-Y
MPEA6YG-207L	2	AE100GLL-Y
MPEAA6YG-208L	2-1/2	AE100G5LL-Y
MPE6YF-207L	1-1/2	AE100GLL-Y
MPE6YG-208L	2	AE100G5LL-Y



### Box A

For quick disconnect pipe connections, purchase separately:

Pkg. 188 2 in. Slip 1/2 Union Kit or  
Pkg. 189 2 in. NPT 1/2 Union Kit.

Includes 2 each:

U11-200P Union Collar

U9-362 O-Ring

U11-196P 2 in. Slip adapter or  
U11-199P 2 in. NPT adapter.

Item	Part No.	Description	US List	Can. List
<b>DYNA-PRO REPLACEMENT PARTS</b>				
2	U30-692SS	Screw #10-32 x 1/2 in.	1.89	1.95
3	U17-568	Bonding Lug	9.96	10.26
4	17351-0009	Slinger	1.72	1.77
5	C3-184P	Seal Plate	107.41	110.63
6	U9-373	Seal Plate Cord Ring	8.40	8.65
7	37400-0027S	Shaft Seal	26.46	27.25
8	C105-236P	Impeller, 1/2 HP - Models MPEA6D-204L, MPE6C-204L, MPRA6D-204L	43.37	44.67
8	C105-236PB	Impeller, 1 HP - Models MPEA6E-205L, MPE6D-205L, MPRA6E-205L, MPRA6E-147L, MPRA6E-147LC	43.37	44.67
8	C105-236PC	Impeller, 1-1/2 HP - Models MPEA6F-206L, MPE6E-206L, MPRA6F-206L, MPRA6YF-206L,	43.37	44.67
8	C105-236PDA	Impeller, 2 HP - Models MPEA6G-207L, MPE6F-207L, MPEA6YG-207L, MPE6YF-207L, MPRA6G-207	43.37	44.67
8	C105-236PEA	Impeller, 2-1/2 HP - Models MPEAA6G-208L, MPA6G-208L, MPEAA6YG-208L, MPE6G-208L	43.37	44.67
8A	33455-1047	Gasket, Models MPEA6G-207L, MPE6F-207L, MPEA6YG-207L, MPE6YF-207L, MPRA6G-207	6.33	6.52
8A	33455-1047	Gasket, Models MPEAA6G-208L, MPA6G-208L, MPEAA6YG-208L, MPE6G-208L	6.33	6.52
8B	37337-6080	Impeller Lock Screw, Models MPEA6G-207L, MPE6F-207L, MPEA6YG-207L, MPE6YF-207L, MPRA6G-207	17.61	18.14
8B	37337-6080	Impeller, Models MPEAA6G- 208L, MPA6G-208L, MPEAA6YG- 208L, MPE6G-208L	17.61	18.14
9	C1-270PB	Diffuser - 1/2 HP	26.88	27.69

Item	Part No.	Description	US List	Can. List
9	C1-270PC	Diffuser - 1 HP	26.88	27.69
9	C1-270P	Diffuser - 1-1/2 HP	26.88	27.69
9	C1-270P	Diffuser - 2 HP	26.88	27.69
9	C1-270P	Diffuser - 2-1/2 HP	26.88	27.69
10	U9-374	Diffuser O-Ring	5.01	5.16
11	C76-71P	Tank and Trap Body (Only)	249.78	257.27
12	C3-185P	Trap Cover	56.26	57.95
12	17307-0111S	Trap Lid and Ring Assembly	64.24	66.17
13	35505-1440	Trap Cover O-Ring	16.99	17.50
14	C8-58P	Trap Basket	12.60	12.98
15A	U178-920P	Drain Plug	3.05	3.14
15B	U30-919SS	Mounting Screw 5/16-14 x 5/8 in.	3.99	4.11
16	C4-77P	Base - Plastic	45.42	46.78
17	C35-45	Motor Pad - for Plastic Base	4.13	4.25
18	U30-542SS	Screw #8-32 x 7/8 in. Rd. Hd.	2.00	2.06
19	U43-21SS	Lock Washer #8 Ext. Tooth.	1.55	1.60
20	U43-62SS	Flat Washer 3/8 in.	1.55	1.60
21	U43-12SS	Lock Washer 3/8 in.	2.42	2.49
22	071403	Nut 3/8-16 Hex	1.42	1.46
23	U30-75SS	Cap Screws 3/8-16 x 1-1/4 in. Hex. (LS Suffix)	2.55	2.63
24	U30-74SS	Cap Screws 3/8-16 x 1 in. Hex.	4.01	4.13