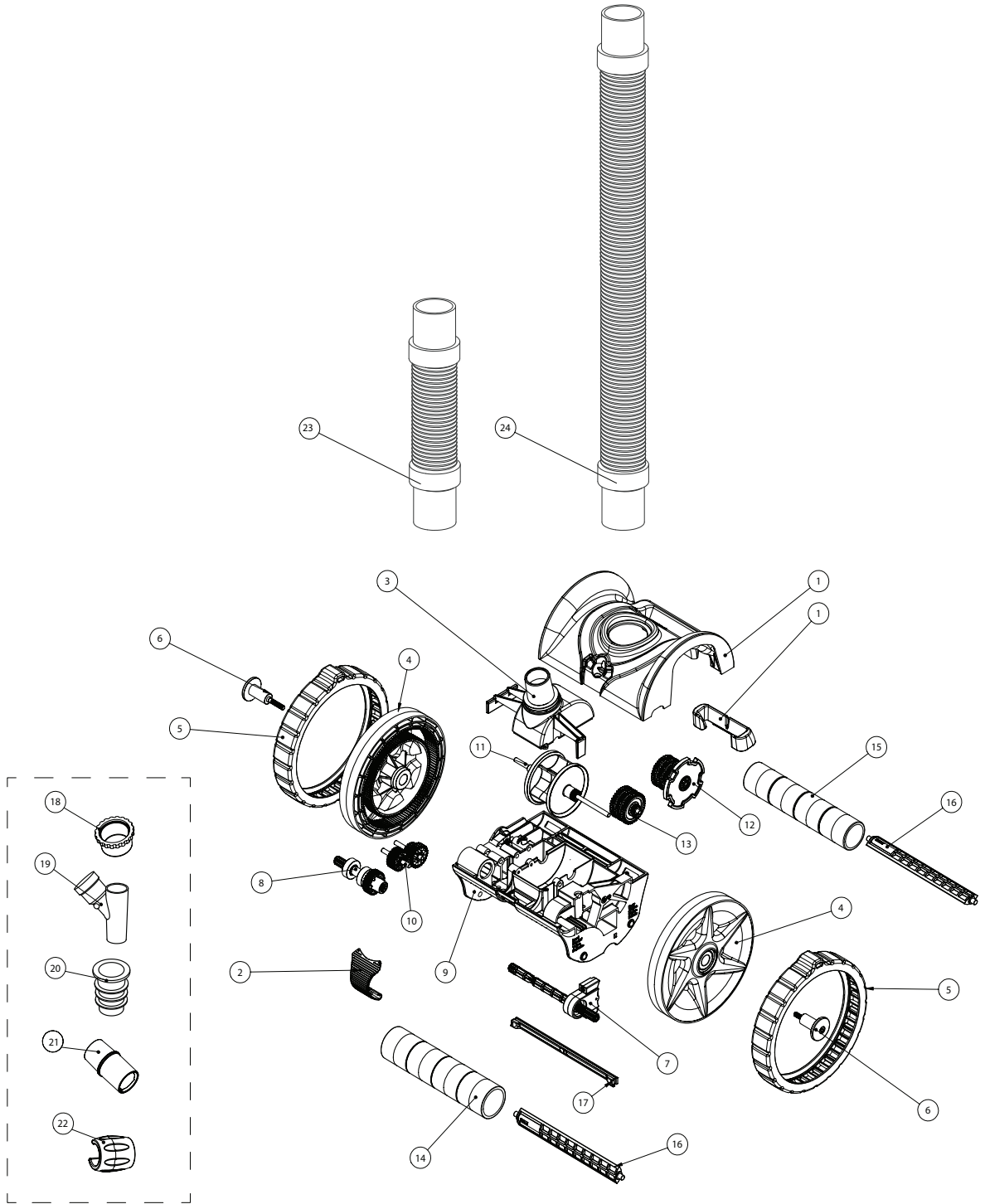


# BLUEREBEL™



# BLUEREBEL™

## Replacement Parts

No.	Part No.	Description	Part No. Includes*
1	360283	Top Cover Kit	1
2	360284	Buckle Kit	1
3	360285	Swivel Kit	1
4	360286	Wheel Kit	1
5	360287	Tire Kit	2
6	360288	Wheel Hub Kit	2
7	360289	Left Drive Kit	1
8	360290	Right Drive Kit	1
9	360291	Bottom Cover Kit	1
10	360292	Drive Gear Kit	1
11	360293	Turbine Kit	1
12	360294	Cam Kit	1
13	360295	Cam Gear Kit	1
14	360296	Front Roller Kit	4
15	360297	Rear Roller Kit	4
16	360298	Roller Bar Kit	2
17	360299	Wear Bar Kit	1
18	RK1018	Cap for Regulator Valve	1
19	RK1015	Regulator Valve	1
20	RK1023B	Cone Adaptor	1
21	RK1019	Flow Gauge (White Indicator)	1
22	360300	Cleaner Hose Float	1
23	41201-0255	Short Leader Hose	1
24	41201-0254	Suction Hose ( 1m )	1

\* PART NUMBER INCLUDES REQUIRED QUANTITY PER PRODUCT

AUTOMATION

FILTERS

FILTER SYSTEMS

PUMPS

HEAT PUMPS

CLEANERS

WATER FEATURES

LIGHTS

SALT CHLORINATORS

DOSING & MEASURING

SANITIZERS

WHITE GOODS

MAINTENANCE ACCESSORIES

OTHER