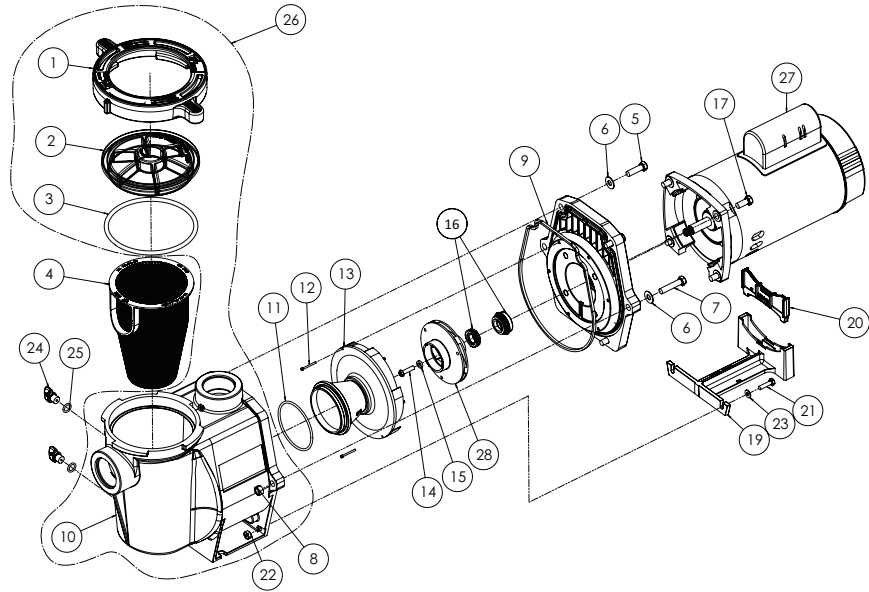
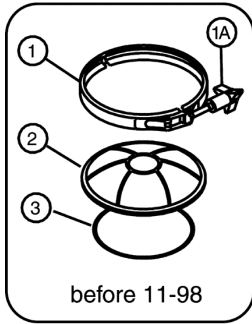


WHISPERFLO® PUMP

REPLACEMENT PARTS



Item	Part No.	Description	US List	Can. List
WHISPERFLO PUMPS				
1	070711	Clamp band assembly, SS, WF/AQ ⁵ (old style)	80.86	83.29
1	357150	Clamp, Cam & Ramp™, plastic, black, WF ⁷	43.68	44.99
1	357199	Clamp, Cam & Ramp, plastic, almond, WF ⁸	43.68	44.99
1A	071136Z	Knob, only ⁵	21.11	21.74
2	070795	Cover, clear, AQ/WFE pump ⁵ (old style)	45.73	47.10
2	357151	Cover, clear, WFE pump ⁶	32.88	33.87
2	357156	Cover, chemical resistant Cam & Ramp	62.00	63.86
3	071422	O-ring, AQ/WFE cover ⁵	6.33	6.52
3	350013	O-ring, WFE cover ⁶	2.82	2.90
4	070387	Basket	17.60	18.13
5	070430	Bolt, 3/8, 16 x 1-1/4 hex hd. SS, 4 req.	2.29	2.36
6	072184	Washer, 3/8 x 13/16 o.d. SS, 6 req.	1.42	1.46
7	070431	Bolt, 3/8, 16 x 1-3/4 hex hd. SS, 2 req.	2.52	2.60
8	071403	Nut, 3/8, 16 hex hd., 2 req.	1.42	1.46
9	071445	O-ring parker No.2-265, WFE pump ^{1,4}	15.79	16.26
9	357100	Black Gasket for Seal Plate ¹⁴	5.30	5.46
9	357102	Almond Gasket for Seal Plate ¹⁵	5.72	5.89
10	357149	Volute & Sealplate, Almond Replacement Kit ⁶	275.03	283.28
10	350015	Volute, almond	209.03	215.30
10	357157	Volute, black	209.03	215.30
11	355227	O-ring parker No.2-238, WFE pump	2.99	3.08
12	071660	Set screw, 4-40 x 1-1/8 WFE, 2 req.	2.99	3.08
13	072928	Diffuser assembly, WFE-12, 3 HP; WFK-12, 3HP models	83.22	85.72
13	072927	Diffuser assembly, WFE-2-8, 1/2 HP - 2-1/2 HP	69.63	71.72
14	071652	Set screw, 1/4, 20 x 1 lh. phillips	2.39	2.46

Item	Part No.	Description	US List	Can. List
15	075713	Rubber washer, WFE pump	1.42	1.46
16	071734S	Seal PA-7 w/ ceramic seat, PS1000	27.77	28.60
17	070429	Bolt, 3/8, 16 x 7/8 SS hex hd., 4 req.	2.52	2.60
18	350202	Seal Plate Kit, Almond with Gasket (Includes Mechanical Seal Installed and Seal Plate Gasket) Items 9, 16 & 18	184.42	189.95
18	350201	Seal Plate Kit WFE Almond (Includes Mechanical Seal installed) Items 16 & 18	188.12	193.76
18	350101	Seal Plate Kit WFE Black (Includes Mechanical Seal installed) Items 16 & 18	CALL	CALL
19	070927	Foot, WFE-4 pump, almond	35.12	36.17
19	357159	Foot, black ⁹	35.12	36.17
20	070929	Foot insert, WFE pump, almond	17.60	18.13
20	357160	Foot insert, WFE pump, black ⁹	17.60	18.13
21	071657	Screw, 1/4, 20 x 1 in. hh. SS, 2 req.	1.42	1.46
22	071406	Nut, 1/4, 20 hex. hd. SS, 2 req.	1.42	1.46
23	072183	Washer, flat 1/4 x 5/8, 2 req.	1.42	1.46
24	071131	Knob plug drain, 2 req. almond	5.63	5.80
24	357161	Knob plug drain, 2 req., black ⁹	3.67	3.78
25	192115	O-Ring drain plug, 2 req.	1.15	1.18
26	357149	Almond Volute/Seal plate kit ⁶ (Includes items 1-4, 9, 10, 16, 18, 24, 25.)	275.03	283.28
MOTORS				
27	355008S	3/4 HP, 60 Hz, WFE-2, 3 & 24, 2 1 sp, almond 9 lbs. ³	325.78	335.55
27	355010S	1 HP, 60 Hz, WFE-4 & 26, 1 sp, almond, 33 lbs. ³	353.76	364.37
27	355012S	1-1/2 HP, 60 Hz, WFE-6 & 28, 1 sp, almond 39 lbs. ³	416.70	429.20
27	355014S	2 HP, 60 Hz, WFE-8 & 30, 1 sp, almond 40 lbs. ³	496.48	511.37

WHISPERFLO® PUMP (CONT'D)

REPLACEMENT PARTS



Item	Part No.	Description	US List	Can. List
MOTORS				
27	355016S	3 HP, 60 Hz, WFE-12, 1 sp, almond 40 lbs. ³	648.77	668.23
27	356630S	1 HP, 2 sp., WFDS-4 & 26, 34 lbs. ¹¹	456.28	469.97
27	071320S	1-1/2 HP, 2 sp., WFDS-6 & 28, 36 lbs. ¹¹	552.44	569.01
27	071321S	2 HP, 2 sp., WFDS-8 & 30, 45 lbs. ¹¹	690.61	711.33
27	355018S	1/2 HP, WF-2, 23, 1 sp, almond, 39 lbs. ¹⁰	258.63	266.39
27	355020S	3/4 HP, WF-3, 24, 1 sp, almond, 26 lbs. ¹⁰	304.96	314.11
27	355022S	1 HP, WF-4, 26, 1 sp, almond, 28 lbs. ¹⁰	339.01	349.18
27	355024S	1-1/2 HP, WF-6, 28, 39 lbs. ¹⁰	420.04	432.64
27	355026S	2 HP, WF-8, 30, 32 lbs. ¹⁰	496.13	511.01
27	355033S	3 HP, 1 sp, WF-12, 1 sp, almond, 40 lbs. ¹⁰	645.53	664.90
27	355203S	WFK-4 motor, 28 lbs., 3 ph, 1 sp, black	393.74	405.55
27	355204S	WFK-6 motor, 30 lbs., 3 ph, 1 sp, black	491.16	505.89
27	355205S	WFK-8 motor, 37 lbs., 3 ph, 1 sp, black	546.19	562.58
27	355398S	WFK-12 motor, 35 lbs., 3 ph, 1 sp, black	661.16	680.99
27	356626S	1 HP, 3 ph, 1 sp, sq. flg. almond, for Pump 011568	393.74	405.55
27	356627S	1.5 HP, 3 ph, 1 sp, sq. flg. almond, for pump 011569	489.58	504.27
27	356628S	2 HP, 3 ph, 1 sp, sq. flg. almond, for pump 011570	546.19	562.58
27	356629S	3 HP, 3 ph, 1 sp, sq. flg. almond, for pump 011571	661.16	680.99
IMPELLERS				
28	073126	Impeller (WF-2, WF-23, WFE-2, WFK-2, WFK-12)	91.41	94.15
28	073127	Impeller (WFE-3, WFE-24, WF-3, WF-24, WFK-3, WFDS-3, WFDS-24)	91.41	94.15
28	073128	Impeller (WFE-4, WFE-26, WF-4, WF-26, WFK-4, WFDS-4, WFDS-26)	91.41	94.15
28	073129	Impeller (WF-6, WF-28, WFE-6, WFE-28, WFK-6, WFDS-6, WFDS-28)	91.41	94.15
28	073130	Impeller (WF-8, WF-30, WFE-8, WFE-30, WFK-8, WFDS-8, WFDS-30)	91.41	94.15
28	073131	Impeller (WFE-12, WF-12)	91.41	94.15
POWER END SUBASSY. INCLUDES ITEMS No. 12 THRU 18, 27, 28				
	075251	WF-2, WF-23	835.38	860.44
	075145	WFDS-3, WFDS-24	1,129.59	1,163.48
	075136	WFE-2	886.43	913.02
	075137	WFE-3, WFE-24 ³	895.45	922.31
	075138	WFE-4, WFE-26 ³	953.27	981.87
	075139	WFE-6, WFE-28 ³	1,116.87	1,150.38

Item	Part No.	Description	US List	Can. List
	075140	WFE-8, WFE-30 ³	1,284.42	1,322.95
	075141	WFE-12 ³	1,594.35	1,642.18
	075142	WFDS-4, WFDS-26 ¹¹	1,177.76	1,213.09
	075143	WFDS-6, WFDS-28 ¹¹	1,376.12	1,417.40
	075144	WFDS-8, WFDS-30 ¹¹	1,674.18	1,724.41
POWER END SUBASSY. INCLUDES ITEMS No. 12 THRU 18, 27, 28, CONT.				
	075252	WF-3, WF-24 ¹⁰	877.15	903.46
	075253	WF-4, WF-26 ¹⁰	926.46	954.25
	075254	WF-6, WF-28 ¹⁰	1,099.40	1,132.38
	075255	WF-8, WF-30 ¹⁰	1,263.54	1,301.45
	075256	WF-12 ¹⁰	1,583.66	1,631.17
FLUID ENDS-ALL PARTS, W/O MOTOR				
	075452	WFE-3 fluid end, 3/4 HP	698.77	719.73
	075453	WFE-4 fluid end, 1 HP	685.62	706.19
	075454	WFE-6 fluid end, 1-1/2 HP	692.04	712.80
	075455	WFE-8 fluid end, 2 HP	686.06	706.64
	075456	WFE-12 fluid end, 3 HP	683.80	704.31
NOT SHOWN				
	79129900	2-Speed Toggle Switch with Mounting plate	44.69	46.03
	350202	Seal Plate Kit: Seal plate (almond), Gasket (black), with installed Seal (Includes items 9, 16, & 18)	184.42	189.95
	350203	Seal Plate Kit: Seal plate (black), Gasket (black), with installed Seal (Includes items 9, 16, & 18)	184.42	189.95
	357243	Pot Assembly, Almond NPT. (Includes items 1-4, 10, 24 (qty. 2), 25 (qty. 2))	437.39	450.51
	357244	Pot Assembly, Black NPT. (Includes items 1-4, 10, 24 (qty. 2), 25 (qty. 2))	437.39	450.51
	355001S	Motor for Pump 011021	347.69	358.12
	355002S	Motor for Pump 340061	356.20	366.89

¹ Used on pumps manufactured before 6-94.
² Used on pumps manufactured after 6-94.
³ Energy efficient single phase.
⁴ Pumps manufactured before 11-98 require a volute replacement kit (357149) when replacing items No.9-gasket, No.10-volute, or No.18-seal plate. This kit will update the pump to the new configuration using the "Cam and Ramp" lid design.
⁵ Used on pumps manufactured before 11-98.
⁶ Used on pumps manufactured after 11-98. Includes items 1-4, 9, 10, 16, 18, 24, 25.
⁷ Used on pumps manufactured between 11-98 thru 12-17-99.
⁸ Used on pumps manufactured after 12-17-99.
⁹ CSA/CUL (only) for Canada.
¹⁰ Standard efficiency, single phase.
¹¹ Two Speed, single phase.
¹² Includes items 16 & 18.
¹⁴ 2-1-08 to present.
¹⁵ 1-31-08 and prior.