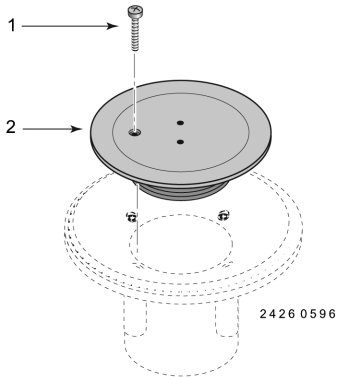


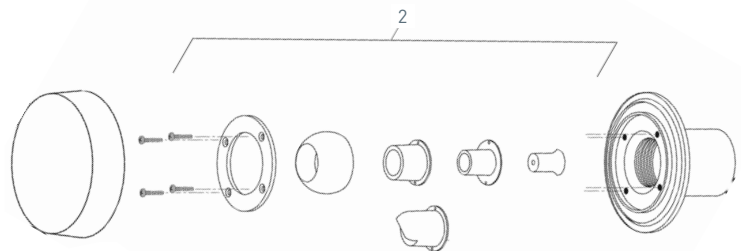
# ADJUSTABLE FLOOR INLET FITTING



Item	Part No.	Description	Qty	US List	Can. List
<b>EQUALIZER SUCTION FITTING KIT</b>					
1	37207-0430	Screw, No. 8 x 1 in., SS	1	3.34	3.44
2	08417-0005	Cover plate, white <sup>1</sup>	1	25.20	25.96
2	08417-0005B	Cover plate, grey <sup>1</sup>	1	25.20	25.96
2	08417-0005C	Cover plate, black <sup>1</sup>	1	25.20	25.96

<sup>1</sup> To be used only as floor inlet fitting(s).

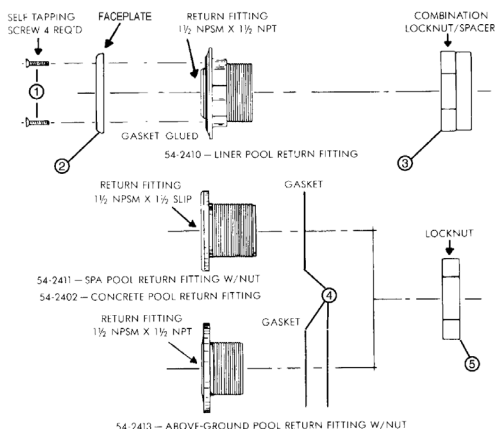
## POOL INLETS



Item	Part No.	Description	Qty.	US List	Can. List
<b>EYEBALL INLETS</b>					
1	08429-0014	Body, 08429-0000, 1-1/2 in. inlet, white	1	CALL	CALL
1	08428-0014B	Body, 08428-0100, 1-1/4 in. inlet, grey	1	CALL	CALL
2	08428-0001	Inlet Eyeball Kit, white, includes: Screw, No. 8, 32 x 1/2 in.; Face plate; Ball; nozzle - 3/4 in.; Right angle nozzle; Nozzle - 1/2 in.; Nozzle - 3/16 in.	1	36.94	38.05
2	08428-0001B	Inlet Eyeball Kit, grey, includes: Screw, No. 8, 32 x 1/2 in.; Face plate; Ball; nozzle - 3/4 in.; Right angle nozzle; Nozzle - 1/2 in.; Nozzle - 3/16 in.	1	32.39	33.36
<b>NOT SHOWN</b>					
	08428-0125	Eyeball inlet kit		19.03	19.60

Product on page 277.

## WALL FITTINGS



Item	Part No.	Description	US List	Can. List
<b>WALL FITTINGS</b>				
1	552472	Screw, No.12 x 1 in. flat phillips, 4 req.	1.23	1.27
2	545100	Face plate, white for 542410 / 86205100	1.22	1.26
2	545101	Face plate, black for 542420 / 86205101	1.22	1.26
2	545103	Face plate, grey for 86205103	1.22	1.26
4	552496	Cork gasket	0.96	0.99
4	552406	Gasket, 2 req.	1.23	1.27
5	154412	Locknut	8.99	9.26