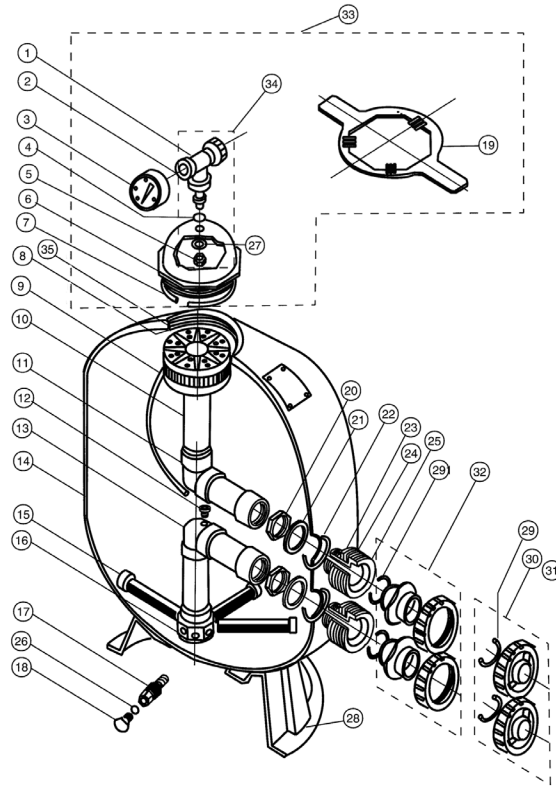


TRITON® II FILTERS

REPLACEMENT PARTS FOR FIBERGLASS FILTERS



Item	Part No.	Description	US List	Can. List
TRITON II SAND FILTERS				
1	154689	Air bleeder/tee assembly ¹³	26.11	26.89
2	154700	Adapter, brass air bleeder ¹³	10.85	11.18
3	190059	Gauge, back mount pressure ¹³	39.33	40.51
4	154661	O-ring, air bleeder adapter ¹³	1.62	1.67
5	154664	Nut, 3/8 in., 16 SS ¹³	1.57	1.62
6	154570	Closure 6 in. btr. thread, see Detail A ¹³	75.28	77.54
6	154559	Closure 6 in. "V" thread, black, see Detail B ¹³	50.44	51.95
7	154493	O-ring closure, 6 in., white ¹³	4.86	5.01
8	154578	Strainer air relief, 1/4 in. ³	12.75	13.13
8	150035	Strainer air relief, 3/8 in. ⁴	8.66	8.92
9	154435	Tube air relief TR40 ³	15.07	15.52
9	150039	Tube air relief TR40 ⁴	17.71	18.24
9	154436	Tube air relief TR50/60 ³	15.07	15.52
9	150040	Tube air relief TR50/60 ⁴	17.71	18.24
9	154437	Tube air relief TR100 ³	16.42	16.91
9	150041	Tube air relief TR100 ⁴	13.95	14.37
9	154438	Tube air relief TR140 ³	21.22	21.86
9	150042	Tube air relief TR140 ⁴	12.98	13.37
10	154598	Diffuser assembly TR40/50	47.10	48.51
10	154599	Diffuser assembly TR60	47.10	48.51
10	154462	Diffuser assembly TR100	47.10	48.51

Item	Part No.	Description	US List	Can. List
TRITON II SAND FILTERS				
10	154906	Diffuser assembly TR140	48.48	49.93
11	154803	Piping assembly upper TR40	52.91	54.50
11	156814	Piping assembly upper TR50	42.36	43.63
11	154533	Piping assembly upper TR60	40.87	42.10
11	154426	Piping assembly upper TR100	70.86	72.99
11	154500	Piping assembly upper TR140	44.69	46.03
12	154441	Connector air relief tube ³	CALL	CALL
12	150036	Connector air relief tube ⁴	1.42	1.46
13	154801	Piping assembly lower TR40	63.81	65.72
13	156816	Piping assembly lower TR50	50.63	52.15
13	154805	Piping assembly lower TR60	49.29	50.77
13	155284	Piping assembly lower TR60 ¹⁴	82.61	85.09
13	154807	Piping assembly lower TR/ PF100	50.68	52.20
13	154489	Piping assembly lower TR140	52.23	53.80
14	154636	Tank & ft. assembly TR40, 6 in. btr. thd., Almond, Detail A	916.14	943.62
14	154637	Tank & ft. assembly TR50, 6 in. btr. thd., Almond, Detail A	931.69	959.64
14	154638	Tank & ft. assembly TR60, 6 in. btr. thd., Almond, Detail A	1,049.07	1,080.54
14	154639	Tank & ft. assembly TR100, 8-1/2 in. btr. thd., Almond, Detail A	1,465.06	1,509.01
14	154640	Tank & ft. assembly TR140, 8-1/2 in. btr. thd., Almond, Detail A	2,155.38	2,220.04

TRITON® II FILTERS (CONT'D)

REPLACEMENT PARTS FOR FIBERGLASS



Item	Part No.	Description	US List	Can. List
TRITON II SAND FILTERS				
14	156224	Tank & ft. assembly TR100HD btr. thread, black HD	1,622.03	1,670.69
15	152290	Lateral, 6-11/16 in. L TR40/50/60, 8 req.	6.86	7.07
15	150085	Lateral TR60 Grey. 1/4 turn ¹⁴	7.83	8.06
15	152202	Lateral, 9-1/8 in. L TR100, 8 req. ⁶	9.42	9.70
15	154540	Lateral, 12 in. L TR140, 8 req.	18.85	19.42
15	150088	Lateral, ClearPro	97.12	100.03
16	154763	Hub lateral TR40/50/60	28.79	29.65
16	155753	Hub lateral, ClearPro- 6 req ¹⁴	39.46	40.64
16	154453	Hub lateral TR100/140	96.47	99.36
17	154698	Spigot, 3/4 in. NPT sand drain ⁸	23.88	24.60
18	357161	Plug, 1/4 in. NPT drain ⁸	3.67	3.78
18	154481	Plug, 1/4 in. drain plug, black	CALL	CALL
19	154512	Wrench, 6 in. closure ¹³	23.57	24.28
19	154510	Wrench closure aluminum, 6 in. ¹³	177.01	182.32
20	154412	Locknut, 2 in. internal, 2 req.	8.99	9.26
21	154416	Spacer, 2 in. internal, 2 req.	13.10	13.49
22	154492	O-ring, 2 in. bulkhead, 2 req.	2.39	2.46
23	154408	Spacer, 2 in. external, 2 req.	13.10	13.49
24	154538	Gasket, 2 in. bulkhead, 2 req.	1.95	2.01
25	154405	Bulkhead, 2 in., 2 req.	67.34	69.36
26	192115	O-ring drain plug ⁹	1.15	1.18
27	154418	Washer, 3/8 in. SS ¹³	1.09	1.12
28	154926	Foot, 16 in. dia., TR40/50 ^{2,11}	89.62	92.31
28	154520	Foot, 19 in. dia., TR60 ^{2,11}	92.36	95.13
28	154596	Foot, 24 in. dia., TR100/140 ^{2,11}	136.10	140.18
29	274494	O-ring valve adptr., 2 req.	4.43	4.56
30	271092	2 in. Thread adapter. kit ⁹	55.86	57.54
31	271094	1-1/2 in. Thread adapter. kit ⁹	55.86	57.54
32	271096	1-1/2 in. & 2 in. Slip adapter. kit ⁹	55.86	57.54
33	155738	Kit closure, 8-1/2 in HD	CALL	CALL
33	154641	Kit closure, 6 in. btr. thread, black, Detail A ¹³	178.83	184.19
33	154697	Kit closure, 6 in. "V" thread, tan, Detail B ¹³	173.66	178.87
33	154856	Kit closure, 8-1/2 in. btr. thread, black ^{10,13}	222.56	229.24
34	154687	Fitting package complete ^{12,13}	44.26	45.59
35	154611	Spacer air vent strainer, 3-3/4 in., TR40	5.90	6.08
35	154612	Spacer air vent strainer, 4-1/2 in., TR50/60	5.90	6.08
35	154613	Spacer air vent strainer, 5-1/2 in., TR100	5.90	6.08
35	154614	Spacer air vent strainer, 5 in., TR140	5.90	6.08
NOT SHOWN				
	154402	Tape ft. mounting TR40/50/60, 3 req.	5.90	6.08
	154407	Tape ft. mounting TR100/140, 3 req.	8.10	8.34
	151602	Bulkhead wrench, 2 in.	260.90	268.73
	154714	Bulkhead kit include items 20-25	140.37	144.58
	151092	Aluminum wrench, 8-1/2 in.	CALL	CALL
	152220Z	Sand drain, 2 in. (used on TR100 and TR140) (Left-hand thread)	40.43	41.64
	154871	Cap thd., 1-1/2 in.	7.71	7.94
	274494	Sand drain O-ring TA100 (used on TR100 and TR140)	4.43	4.56

Filters manufactured after Dec 1, 1991 utilize a 6 in. btr. thread in the filter tank top opening and on the closure, see Detail A.

Filters manufactured before Dec 1, 1991 utilize a 6 in. "V" type thread, see Detail B.

6 in. closures in Detail A and B are NOT interchangeable.



Detail A after 12/1/91
6 in. btr. Thread.



Detail B before 12/1/91
6 in. "V" Thread.

¹ Used on filters manufactured before 2-89.

² Used on filters manufactured after 2-89.

³ All filters manufactured before 11-1-99.

⁴ Used on filters manufactured after 11-1-99.

⁵ Used on filters manufactured before 5-85.

⁶ Used on filters manufactured after 5-85.

⁷ Used on filters manufactured before 3-83.

⁸ Used on filters manufactured after 3-83.

⁹ For installations w/out valve, pair.

¹⁰ Used on all TR100 & 140 filters manufactured after 10-1-01.

¹¹ Replacement of tank foot requires the use of foot mounting tape. See P/N's.

¹² Fitting package includes items 1,2,4,5 and 27.

¹³ For individual parts for closure kit for TR100 and TR140 see replacement parts pages.

¹⁴ For TR60's built after 6-07.