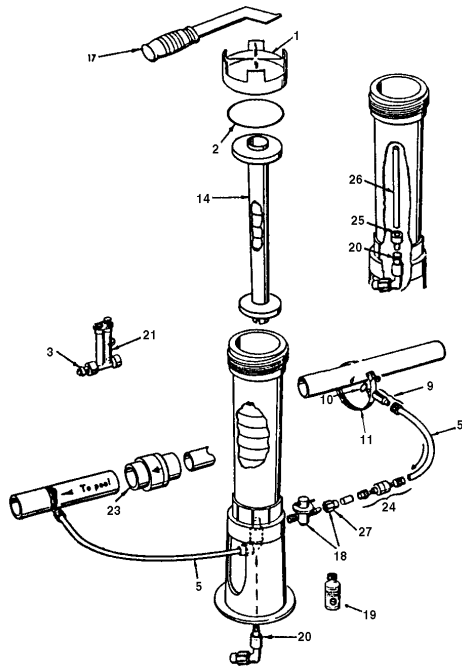


# AUTOMATIC FEEDER - MODEL 300, 302, 300-19, 300-29

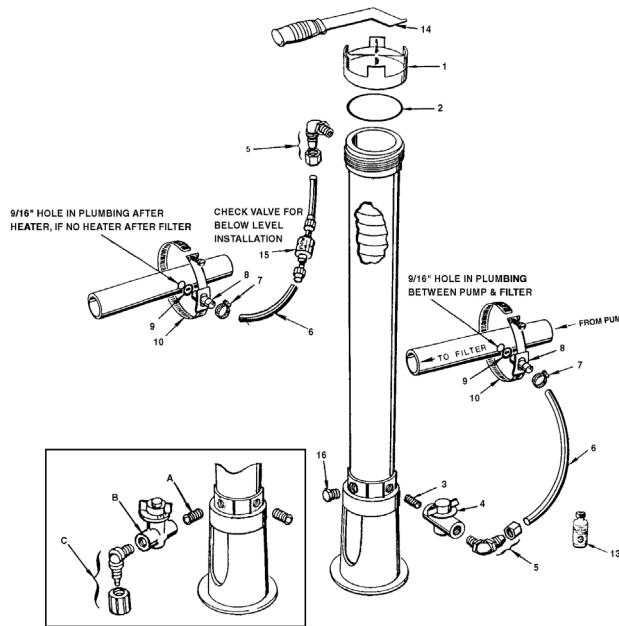
## REPLACEMENT PARTS



Item	Qty.	Part No.	Description	US List	Can. List
Order No.:		R171016	R171026		
Model No.:		300	302		
Description:		AUTOMATIC FEEDER	SPA HOT TUB FEEDER		
1	1	R172008W	3 in. threaded cap, white	16.33	16.82
2	1	R172009	O-ring, cap	6.34	6.53
3	Opt.	R172020	Check valve Old Style	4.32	4.45
5	1	R172023	3/8 in. o.d. x 1/4 in. i.d. tubing, 8 ft.	8.07	8.31
9	2	R172032	Tube fitting with compression nut	5.38	5.54
10	2	R172033	Gasket	2.02	2.08
11	2	R172034	Saddle clamp	5.38	5.54
14	1	R172037	Spa chamber #302 only	15.00	15.45
17	Opt.	R172052	Cap wrench	25.97	26.75
18	1	R172060	Control valve 1/4 in. NPT x tube with compression nut	22.35	23.02
19	1	R172036	Silicone lubricant, 3/4 oz.	8.89	9.16
20	1	R172061	Combination check valve / elbow	5.50	5.67
21	Opt.	R172080	Flow indicator w/check valve	27.44	28.26
23	Opt.	R172288	1-1/2 in.-2 in. Corrosion resistant check valve	34.85	35.90
24	Opt.	R172323	1/4 in. Corrosion resistant check valve	15.95	16.43
25		R172061B	Standpipe adapter, Bromine	5.23	5.39
26		R18761	6 in. Standpipe 3/8 in. o.d. x 1/4 in. i.d.	0.96	0.99
27	1	R18706	Compression nut only	1.37	1.41
Order No.: R172064					
Parts bag for 300, 302, 300-19 & 300-29					
9	2	R172032	Tube fitting with compression nut	5.38	5.54
10	2	R172033	Gasket	2.02	2.08
11	2	R172034	Saddle clamp	5.38	5.54
18	1	R172060	Control valve 1/4 in. NPT x tube with compression nut	22.35	23.02
19	1	R172036	Silicone lubricant	8.89	9.16
20	1	R172061	Combination check valve / elbow	5.50	5.67

# AUTOMATIC FEEDER - MODEL 300-29X

## REPLACEMENT PARTS

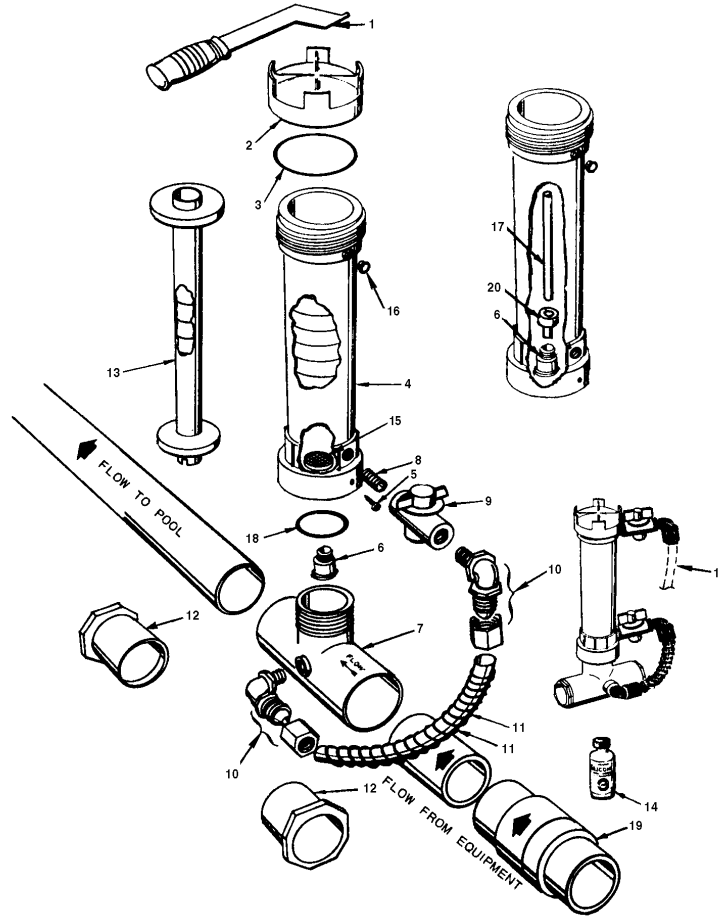


Item	Qty.	Part No.	Description	US List	Can. List
Order No.:		R171070			
Model No.:		300-29X			
Description:		COMMERCIAL SIZE FEEDER			
1	1	R172008W	3 in. threaded cap, white	16.33	16.82
2	1	R172009	O-ring, cap	6.34	6.53
3	1	R172256	1/2 in. x Short MPT nipple	5.23	5.39
4	1	R172086	1/2 in. Control valve	47.14	48.55
5	2	R172272	1/2 in. 90° NPT x tube fitting w/nut	6.73	6.93
5	Opt.	R172274	Compression nut only (for R172272)	2.46	2.53
6	1	R172269	1/2 in. i.d. Feeder tube, 12 ft.	16.23	16.72
7	2	R175013	S/S tubing clamp	5.38	5.54
8	2	R172262	Saddle tube fitting	5.23	5.39
9	2	R172263	Saddle gasket	1.95	2.01
10	2	R172264	Saddle clamp	9.94	10.24
10A	Opt.	R172264XL	Saddle clamp for 3 in., 4 in. & 6 in. pipe	13.18	13.58
11	1	R172392	1/4 in. MPT PVC plug (old style)	5.23	5.39
13	1	R172036	Silicone lubricant, 3/4 oz.	8.89	9.16
14	Opt.	R172052	Cap wrench	25.97	26.75
15	Opt.	R172324NS	1/2 in. Corrosion resistant check valve, tube x tube (ball)	30.44	31.35
16	1	R172134	1/2 in. MPT PVC plug	5.76	5.93

Item	Qty.	Part No.	Description	US List	Can. List
Order No.:		R172275			
Parts bag for 300-29X Complete					
3	1	R172256	1/2 in. x Short MPT nipple	5.23	5.39
4	1	R172086	1/2 in. Control valve	47.14	48.55
5	2	R172272	1/2 in. 90° NPT x tube fitting w/nut	6.73	6.93
5	Opt.	R172274	Compression nut only (for R172272)	2.46	2.53
7	2	R175013	S/S tubing clamp	5.38	5.54
8	2	R172262	Saddle tube fitting	5.23	5.39
9	2	R172263	Saddle gasket	1.95	2.01
10	2	R172264	Saddle clamp	9.94	10.24
13	1	R172036	Silicone lubricant	8.89	9.16
Order No.:		R172002			
Optional Drain Kit					
A		R172256	1/2 in. Short MPT nipple	5.23	5.39
B		R172086	1/2 in. Control valve	47.14	48.55
C		R172272	1/2 in. 90° NPT x tube fitting w/nut	6.73	6.93

# AUTOMATIC FEEDER - MODEL 320

## REPLACEMENT PARTS



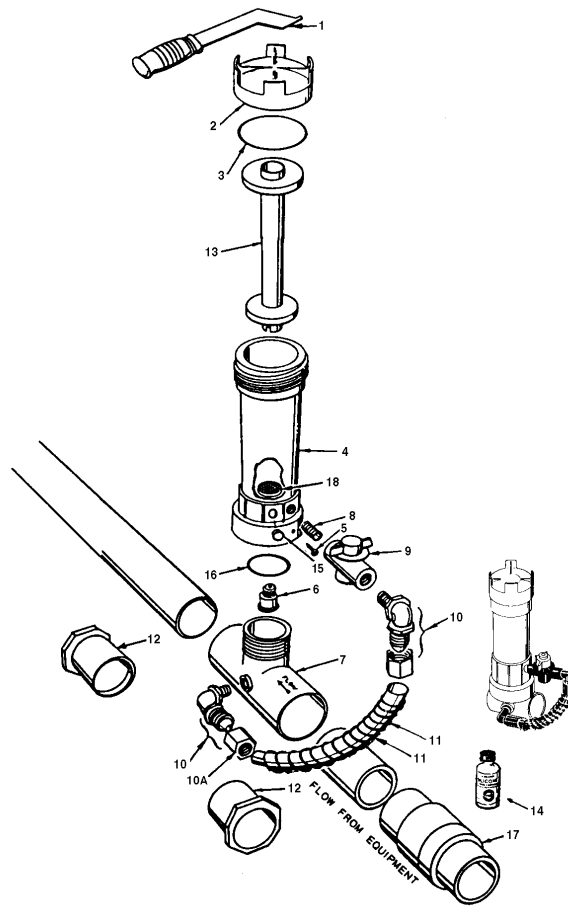
Item	Qty.	Part No.	Description	US List	Can. List
Order No.: R171096					
Model No.: 320					
Description: IN-LINE AUTOMATIC FEEDER					
1	Opt.	R172052	Cap wrench	25.97	26.75
2	1	R172008W	3 in. threaded cap - white	16.33	16.82
3	1	R172009	O-ring, cap	6.34	6.53
4	1	R172321	#320 Body only (new style)	46.55	47.95
5	1	R01052	Lock screw	1.33	1.37
6	1	R172248	Check valve	9.41	9.69
7	1	R172317	Diverter tee 1-1/2 NPT x 2 in. slip	24.35	25.08
8	1	R172256	1/2 in. x Short MPT nipple	5.23	5.39
9	1	R172086	1/2 in. Control valve	47.14	48.55
10	2	R172272	1/2 in. NPT x tube 90° ELL w/nut	6.73	6.93
10	Opt.	R172274	Compression nut only (for R172272)	2.46	2.53

Item	Qty.	Part No.	Description	US List	Can. List
11	1	R172091	5/8 in. o.d. Short feeder tube	5.06	5.21
11	Opt.	R171097	Tube support spring	5.23	5.39
12	2	R172210	2 in. x 1-1/2 in. S x S bushing for 1-1/2 in. PVC only <sup>1</sup>	5.23	5.39
13	Opt.	R172037	Spa chamber	15.00	15.45
14	1	R172036	Silicone lubricant, 3/4 oz.	8.89	9.16
15	1	R172255	Screen	5.23	5.39
16	1	R172134	1/2 in. NPT PVC plug	5.76	5.93
17	1	R172253	5/8 in. o.d. 18 in. tube (optional top feed)	5.22	5.38
18	1	R172319	Bottom O-ring	1.33	1.37
19	Opt.	R172288	1-1/2 in. Corrosion resistant check valve	34.85	35.90
20	1	R172048B	Standpipe adapter, Bromine	1.37	1.41

<sup>1</sup> Not used with 2 in. PVC.

# AUTOMATIC FEEDER - MODEL 322

## REPLACEMENT PARTS



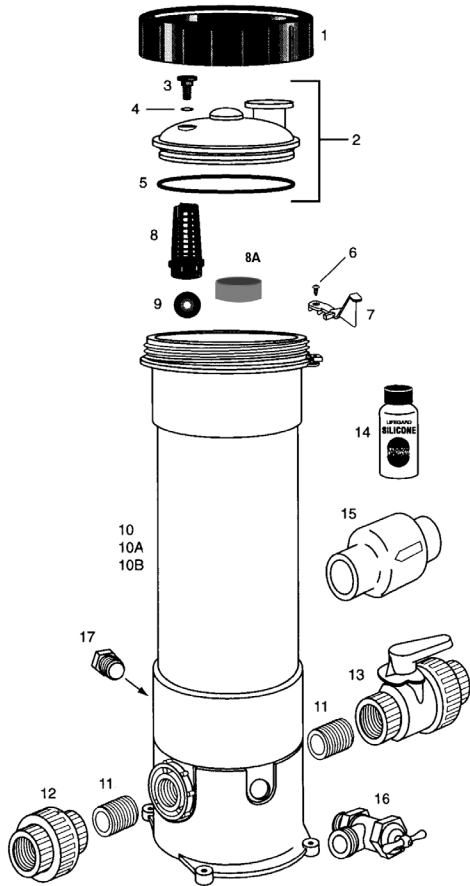
Item	Qty.	Part No.	Description	US List	Can. List
Order No.: R171100					
Model No.: 322					
Description: IN-LINE FEEDER					
1	Opt.	R172052	Cap wrench	25.97	26.75
2	1	R172008W	3 in. threaded cap, white	16.33	16.82
3	1	R172009	O-ring, cap	6.34	6.53
5	1	R01052	Lock screw	1.33	1.37
6	1	R172331	Check valve w/ restrictor	10.23	10.54
7	1	R172317	Divterter tee 1-1/2 NPT x 2 in. slip x slip	24.35	25.08
8	1	R172256	1/2 in. x Short MPT nipple	5.23	5.39
9	1	R172086	1/2 in. Control valve	47.14	48.55
10	2	R172272	1/2 in. NPT x tube 90° ELL w/nut	6.73	6.93

Item	Qty.	Part No.	Description	US List	Can. List
10A	Opt.	R172274	Compression nut only (for R172272)	2.46	2.53
11	1	R172091	5/8 in. o.d. short feeder tube	5.06	5.21
11	1	R171097	Tube support spring	5.23	5.39
12	2	R172210	2 in. x 1-1/2 in. S x S bushing (for 1-1/2 in. PVC only) <sup>1</sup>	5.23	5.39
13	1	R172258	Chemical chamber	14.35	14.78
14	1	R172036	Silicone lubricant, 3/4 oz.	8.89	9.16
15	1	R172007	1/4 in. NPT plug	5.23	5.39
16	1	R172319	Bottom O-ring	1.33	1.37
17	Opt.	R172288	1-1/2 in.-2 in. Corrosion resistant check valve	34.85	35.90
18	1	R172255	Screen	5.23	5.39

<sup>1</sup> Not used with 2 in. PVC.

# HIGH CAPACITY AUTOMATIC FEEDERS MODELS HC-3315, HC-3330, HC-3340

## REPLACEMENT PARTS



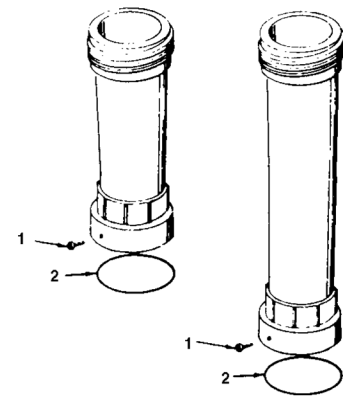
Item	Qty.	Part No.	Description	US List	Can. List
Order No.: R171215, R171230, R171240					
Model No.: HC-3315, HC-3330, HC-3340					
Description: HIGH CAPACITY AUTOMATIC FEEDER					
1	1	R172214	Lock ring	16.06	16.54
2	1	R172385D	Lid assembly complete	28.31	29.16
3	1	R172224X	Vent valve	5.23	5.39
4	1	R172221	O-ring vent valve	1.33	1.37
5	1	R172240	O-ring lid to housing	16.74	17.24
6	1	R172375	Lock screw	1.33	1.37
7	1	R172374	Lock spring	5.23	5.39
8	1	R175251	Screen	5.30	5.46
8A	1	R171919	Check Valve Seat	CALL	CALL
9	1	R172435	Check ball	1.37	1.41
11	2	R270484	1 in. Close nipple	5.23	5.39
12	1	R270531	1 in. Threaded union	16.41	16.90
13	1	R172439	Control valve	75.87	78.15
14	1	R172036	Silicone lubricant, 3/4 oz.	8.89	9.16
15	Opt.	R172288	1-1/2 in.-2 in. Check valve	34.85	35.90
16	1	R175009	Hose Bib w/t Handle 1/2 in.	16.14	16.62
17	1	R172134	1/2 in. threaded plug	5.76	5.93
NOT SHOWN					
		R172082	Flow rate indicator	161.31	166.15

# EXTENSIONS / DISPENSERS / FLOW INDICATORS

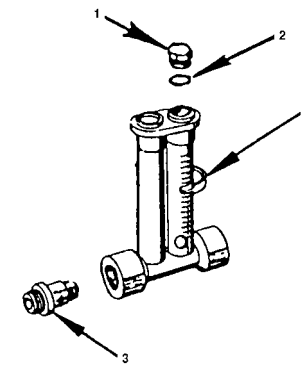
## REPLACEMENT PARTS



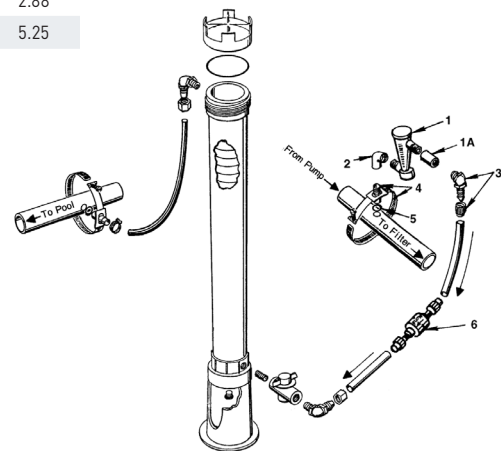
Item	Qty.	Part No.	Description	US List	Can. List
Order No.:		R172087 10 IN. EXTENSION COMPLETE			
Order No.:		R172283 20 IN. EXTENSION COMPLETE			
1	1	R172078	Lockscrew (bottom collar)	1.33	1.37
2	1	R172009	O-ring	6.34	6.53
Order No.:		R172080 Description: FLOW INDICATOR			
1	1	R172392	Access plug 1/4 in. MPT	5.23	5.39
2	1	R172393	O-ring	5.23	5.39
3	1	R172020	Check valve	4.32	4.45
4	1	R172235	Marker clip	5.38	5.54
Order No.:		R172627 Description: CORROSION RESISTANT FLOW INDICATOR			
1	1	R172276	Commercial flow indicator	60.56	62.38
1A	1	R172313	1/2 in. Coupling (included with flow indicator)	5.38	5.54
2	1	R270422	1/2 in. x 90° Elbow FPT	5.38	5.54
3	1	R172272	1/2 in. x 90° NPT x tube fitting with nut	6.73	6.93
4	1	R172628	Saddle clamp with inlet fitting (threaded)	22.57	23.25
5	1	R172263	Saddle gasket	1.95	2.01
6	1	R172324	1/2 in. Corrosion resistant check valve. Tube x tube	30.99	31.92
Order No.:		R171086 Model No.: 330 Description: FLOATING DISPENSER			
1	1	R18729B	Lid only (new style - fits 'B' body)	5.23	5.39
2	1	R18856	Screen	7.47	7.69
Order No.:		R171130 Description: SPLASHER POOL/SPA DISPENSER			
1	1	R18902	Cap	1.78	1.83
Order No.:		R171090 Model No.: 335 Description: SPA OR SMALL POOL FLOATING DISPENSERS			
1	1	R18855	Screen	2.80	2.88
1	1	R18819	Lock ring	5.10	5.25



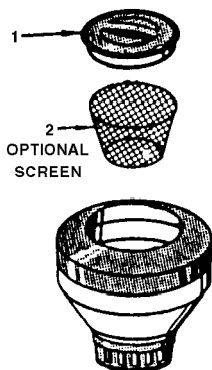
R172087 R172283



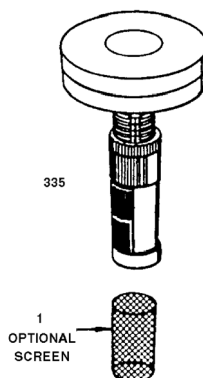
R172080



R172627



R171086



R171090