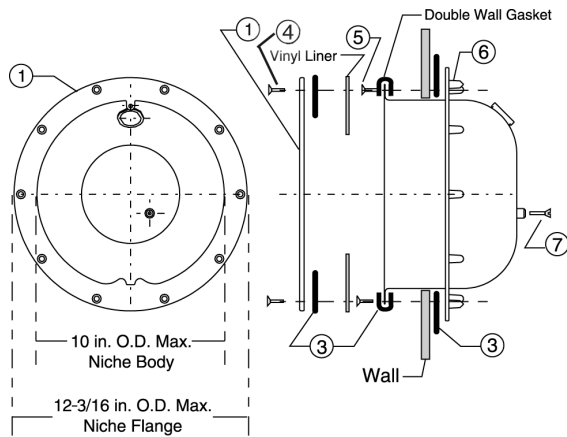
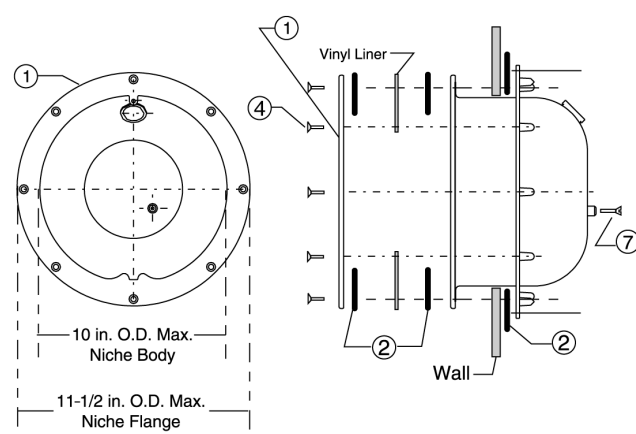


# PENTAIR LARGE STAINLESS STEEL NICHES

## REPLACEMENT PARTS



**Standard 10 Hole Pattern**  
for vinyl or fiberglass



**American 8 Hole Pattern**

Item	Part No.	Description	US List	Can. List
<b>PENTAIR LARGE STAINLESS STEEL NICHES</b>				
1	79200100	Liner-sealing ring, American 8 hole	135.00	139.05
1	79200200	Liner-sealing ring, std. 10 hole	114.96	118.41
2	79200300	Gasket, set, American 8 hole pattern	44.16	45.48
3	79200700	Gasket, set, std. 10 hole pattern, w/ double wall gasket	81.43	83.87
4	98202600	Screw, sealing 1/4-20 x 1 in. Phillips flat head	3.63	3.74
4	98202700	Screw, sealing 1/4-20 x 1-1/4 in. Phillips flat head	3.67	3.78
5	98204200	Screw, retainer, fillister head, 12-24 x 3/4 in.	1.75	1.80
6	634595	Back-up ring, std. 10 hole pattern	102.20	105.27
7	98204400	Screw, grounding 10-24 x 1/2 in.	2.18	2.25
<b>NOT SHOWN</b>				
	79211600	Plaster ring, for gunite niche, pool	51.14	52.67
	79205100	Screw kit, niche, American 8 hole	32.59	33.57
	79205200	Screw kit, niche, American 8 hole, extra long	32.59	33.57
	79205300	Screw kit, niche, std. 10 hole, 1 in.	29.42	30.30
	79205400	Screw kit, niche, std. 10 hole, 1-1/4 in.	32.59	33.57
	79226300	Screw kit, niche, std. 10 hole, 1-3/8 in.	13.18	13.58
	79200400	Gasket, set, std. 10 hole, w/o double wall gasket	58.15	59.89
	60028300	Bonding Lug Potting Sealant	141.97	146.23