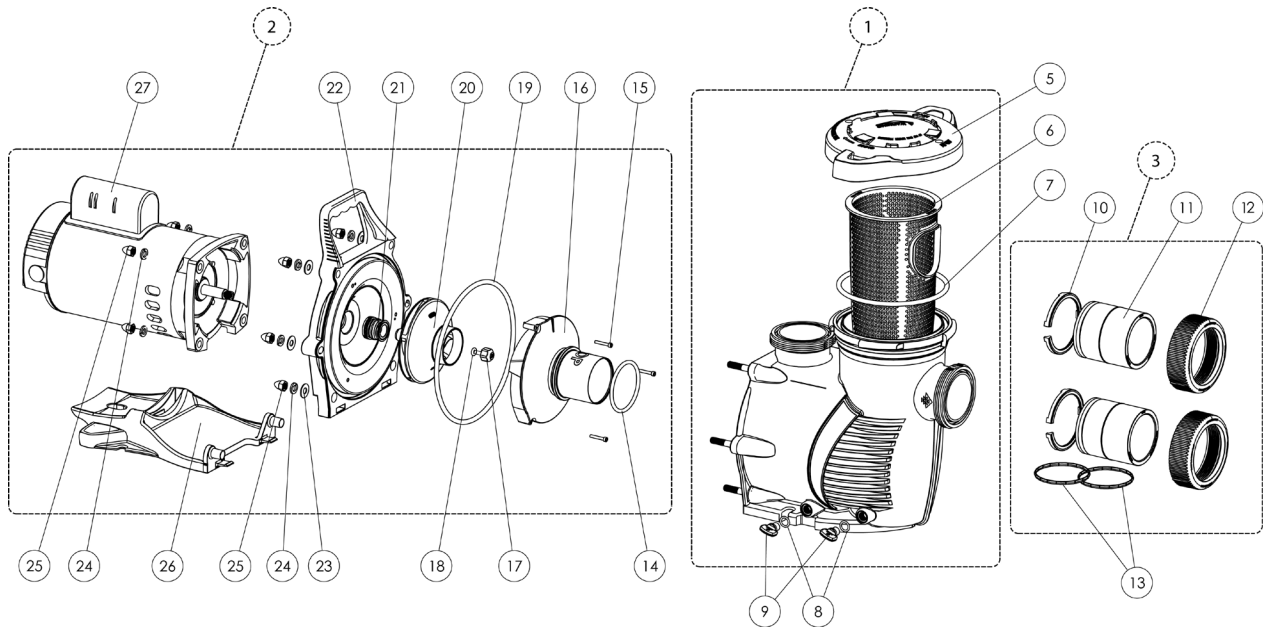


# MAX-E-PROXF® SERIES PUMP

## REPLACEMENT PARTS



Item	Part No.	Description	US List	Can. List
<b>MAX-E-PRO XF PUMP</b>				
1	401000	Wet End Assembly	287.74	296.37
2	See chart on next page	Power End Assembly		
3	410020	Union Kit Without Tap	131.08	135.01
5	401006	Lid/Locking Ring Assembly	CALL	CALL
6	400007Z	XF Series Replacement Basket	31.65	32.60
7	35505-1440	Lid/Locking Ring O-Ring	16.99	17.50
8	192115	Drain Plug O-Ring	1.15	1.18
9	357161	Drain Plug	3.67	3.78
10	410001	2.5 in. C-Clip Locking Ring	6.40	6.59
11	410002	2.5 in. Union Adapter without Tap	30.37	31.28
12	411000	2.5 in. Union Nut	17.59	18.12
13	410016Z	2.5 in. Seal Kit - (Includes two)	CALL	CALL
14	350336	Diffuser O-Ring	3.00	3.09
15	353323	Diffuser Screw	3.00	3.09
16	See chart on next page	Diffuser		
17	37337-6080	Impeller Reverse Screw	17.61	18.14
18	33455-1047	Impeller Reverse Screw O-Ring	6.33	6.52
19	351446	Seal Plate O-Ring	5.72	5.89

Item	Part No.	Description	US List	Can. List
20	See chart on next page	Impeller Assembly	6.33	6.52
21	37400-00285	Mechanical Seal Assembly	35.47	36.53
22	401002	Seal Plate	190.17	195.88
23	072184	Flat Washer	1.42	1.46
24	U43-125S	Split Lock Washer	2.42	2.49
25	071413	Acorn Nut	1.11	1.14
26	401004Z	Motor Base	35.12	36.17
27	See chart on next page	Motor		
<b>NOT SHOWN</b>				
	400030Z	Hardware and O-Rings Kit	57.55	59.28
	400031Z	Seal Plate Kit w/ Mechanical Seal	184.16	189.68
	400012	Riser Plate XF to Challenger	CALL	CALL

# MAX-E-PROXF® SERIES PUMP (CONT'D)

## REPLACEMENT PARTS



Item	Part No.	Description	US List	Can. List
<b>IMPELLERS</b>				
20	400020Z	XF-8	106.95	110.16
20	400015	XF-12	115.89	119.37
20	400020Z	XFE-8	106.95	110.16
20	400015	XFE-12	115.89	119.37
20	400023Z	XFE-20	124.80	128.54
20	400020Z	XFDS-8	106.95	110.16
20	400015	XFDS-12	115.89	119.37
20	400020Z	XFDS-30	106.95	110.16
20	400020Z	XF-30	106.95	110.16
20	400020Z	XFE-30	106.95	110.16
20	400020Z	XFJ-8	106.95	110.16
20	400015	XFJ-12	115.89	119.37
20	400023Z	XFJ-20	124.80	128.54
20	400020Z	XFK-8	106.95	110.16
20	400015	XFK-12	115.89	119.37
20	400023Z	XFK-20	124.80	128.54
<b>MOTORS</b>				
27	355027S	2hp Standard E 230V	496.13	511.01
27	355034S	3hp Standard E 230V	645.45	664.81
27	355015S	2hp High Eff 208-230V	513.25	528.65
27	355017S	3hp High Eff 208-230V	648.76	668.22
27	353319S	5hp High Eff 208-230V	809.67	833.96
27	359527S	2hp 2 Speed 230V	690.60	711.32
27	353318S	3hp 2 Speed 230V	829.12	853.99
27	359527S	2.5hp Uprated 2 Speed 230V	690.60	711.32
27	355027S	2.5hp Uprated Standard E 230V	496.13	511.01
27	355015S	2.5hp Uprated High E 208-230V	513.25	528.65
27	355205S	2hp 3 Phase High E 208-230-460V	546.19	562.58
27	355398S	3hp 3 Phase High E 208-230-460V	661.16	680.99
27	355704S	5hp 3 Phase High E 208-230-460V	803.66	827.77
27	354810S	2hp 3 Phase TEFC 208-230-460V	546.17	562.56
27	354812S	3hp 3 Phase TEFC 208-230-460V	661.14	680.97
27	354814S	5hp 3 Phase TEFC 208-230-460V	803.65	827.76

Item	Part No.	Description	US List	Can. List
<b>DIFFUSERS</b>				
16	400010	XF-8	83.22	85.72
16	400010	XF-12	83.22	85.72
16	400010	XFE-8	83.22	85.72
16	400010	XFE-12	83.22	85.72
16	400011Z	XFE-20	89.82	92.51
16	400010	XFDS-8	83.22	85.72
16	400010	XFDS-12	83.22	85.72
16	400010	XFDS-30	83.22	85.72
16	400010	XF-30	83.22	85.72
16	400010	XFE-30	83.22	85.72
16	400010	XFJ-8	83.22	85.72
16	400010	XFJ-12	83.22	85.72
16	400011Z	XFJ-20	89.82	92.51
16	400010	XFK-8	83.22	85.72
16	400010	XFK-12	83.22	85.72
16	400011Z	XFK-20	89.82	92.51
<b>POWER ENDS</b>				
2	401612Z	2hp Standard E 230V	1,051.10	1,082.63
2	401613Z	3hp Standard E 230V	1,124.44	1,158.17
2	401609Z	2hp High Eff 208-230V	1,067.81	1,099.84
2	401610Z	3hp High Eff 208-230V	1,281.61	1,320.06
2	401611Z	5hp High Eff 208-230V	1,365.37	1,406.33
2	401607Z	2hp 2 Speed 230V	1,178.61	1,213.97
2	401608Z	3hp 2 Speed 230V	1,294.24	1,333.07
2	401607Z	2.5hp Uprated 2 Speed 230V	1,178.61	1,213.97
2	401612Z	2.5hp Uprated Standard E 230V	1,051.10	1,082.63
2	401609Z	2.5hp Uprated High E 208-230V	1,067.81	1,099.84
2	401629Z	2hp 3 Phase High E 208-230-460V	1,099.17	1,132.15
2	401630Z	3hp 3 Phase High E 208-230-460V	1,172.29	1,207.46
2	401631Z	5hp 3 Phase High E 208-230-460V	1,353.15	1,393.74
2	401617Z	2hp 3 Phase TEFC 208-230-460V	1,172.29	1,207.46
2	401618Z	3hp 3 Phase TEFC 208-230-460V	1,353.12	1,393.71
2	401619Z	5hp 3 Phase TEFC 208-230-460V	1,353.12	1,393.71