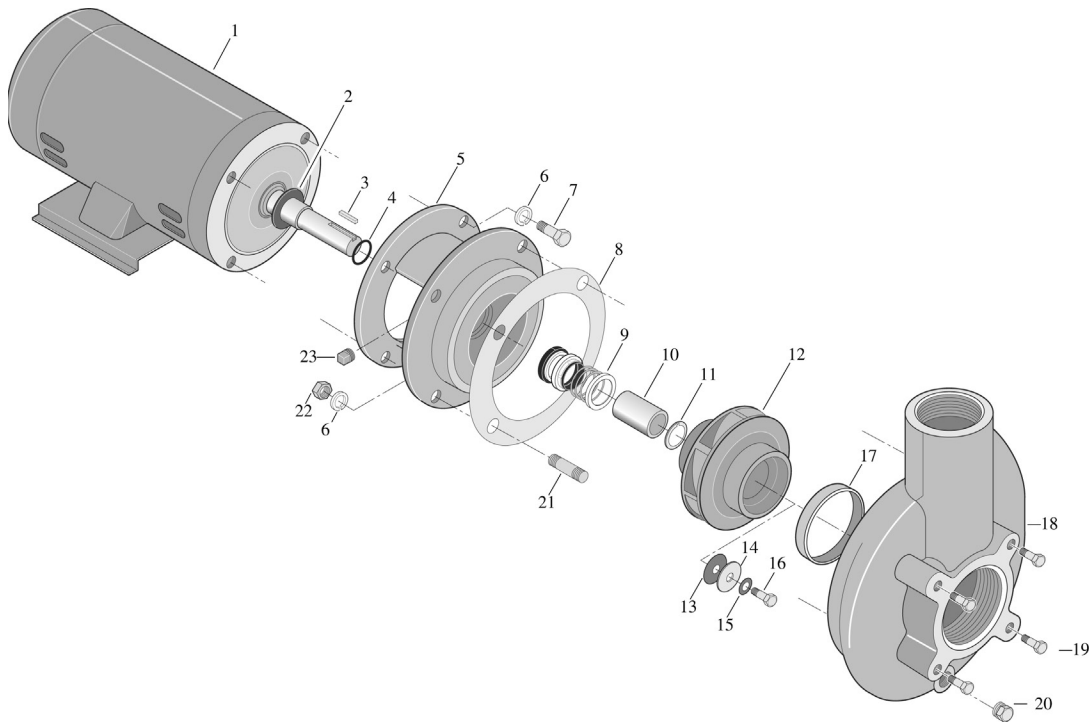


# C/CC SERIES™ CENTRIFUGAL PUMP

## 3 HP MODEL REPLACEMENT PARTS



Item	Part No.	Description	US List	Can. List
<b>CENTRIFUGAL PUMP - C/CC SERIES - 3 HP</b>				
1	C218-177	Motor 230V/60H/1 Ph.	971.87	1,001.03
1	C218-178	Motor 200V/60H/3 Ph.	809.22	833.50
1	C218-179	Motor 230/460V/60H/3 Ph.	CALL	CALL
1	C218-191	Motor 200V/60H/1 Ph.	971.87	1,001.03
3	U65-42A	Key, Impeller	11.48	11.82
4	U9-265	O-Ring	2.34	2.41
5	C2-81	Adapter (Models: CCMH-136, CCM2H-136, CCM2H-136S, CCMH3-136S, CCM2H3-136, CCM2H3--136S, CCHH-137S, CCHH3-137S, CCH2H-137S, CCH2H3-137, CCH2H3-137S)	212.69	219.07
5	C2-81D	Adapter (Models: CMH-136, CMH3-136, CM2H-136, CM2H3-136, CHH-137, CHH3-137, CH2H3-137)	774.41	797.64
6	U43-12ZP	Lockwasher, 3/8 in.	1.32	1.36
7	U30-73ZP	Capscrew, 3/8-16 x 7/8 in.	CALL	CALL
8	C20-77	Gasket	4.91	5.06
9	U109-433SS	Shaft Seal (Replaces U109-220, effective 8/00)	122.25	125.92
10	C23-58	Shaft Sleeve	115.67	119.14
11	C20-101	Gasket, Sleeve	2.97	3.06
12	C105-224DG	Impeller (Silicon Brass) (Models: CCMH-136, CCM2H-136, CCM2H-136S, CCMH3-136S, CCM2H3-136, CCM2H3--136S, CMH-136, CMH3-136, CM2H-136, CM2H3-136)	703.91	725.03
12	C105-224DF	Impeller (Silicon Brass) (Models: CCHH-137S, CCHH3-137S, CCH2H-137S, CCH2H3-137, CCH2H3-137S, CHH-137, CHH3-137, CH2H3-137)	675.65	695.92

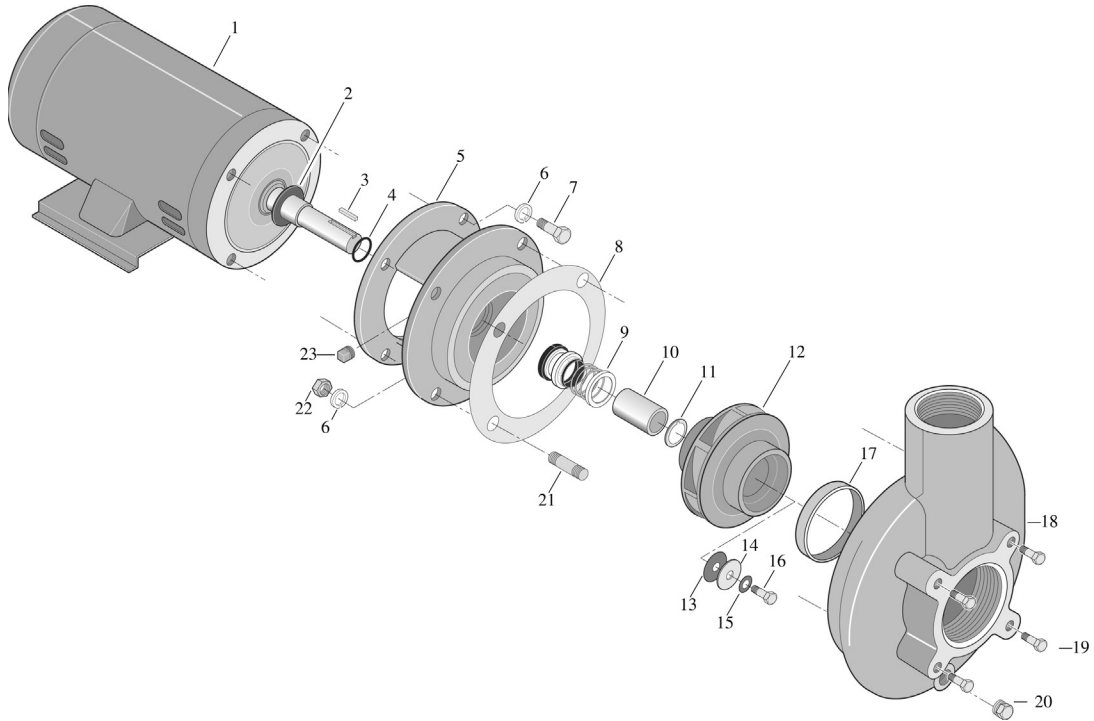
Item	Part No.	Description	US List	Can. List
13	C20-100	Gasket, Impeller	2.97	3.06
14	C43-45SS	Washer, Impeller	5.74	5.91
15	C43-46	Washer, Stat-O-Seal	5.09	5.24
16	U30-72SS	Screw, Impeller 3/8-16 x 3/4 in.	3.90	4.02
17	C23-40	Wear Ring Only	94.55	97.39
18	C101-167	Volute Assembly (Incl. 17 Only) (Models CCMH-136, CCM2H-136, CCM2H-136S, CCMH3-136S, CCM2H3-136, CCM2H3-136S, CCHH-137S, CCHH3-137S, CCH2H-137S, CCH2H3-137, CCH2H3-137S)	429.82	442.71
18	C101-167D	Volute Assembly (Incl. 17 Only) (Models CMH-136, CMH3-136, CM2H-136, CM2H3-136, CHH-137, CHH3-137, CH2H3-137)	1,320.07	1,359.67
20	U78-941ZPV	Pipe Plug, 1/4 in. NPT, Hex Head	1.49	1.53
21	U30-22SS	Stud, 3/8-16 x 1/16 in.	6.93	7.14
22	U36-38ZP	Nut, Hex 3/8 x 16 - (Models CCMH-136, CCM2H-136, CCM2H-136S, CCMH3-136S, CCM2H3-136, CCM2H3--136S, CCHH-137S, CCHH3-137S, CCH2H-137S, CCH2H3-137, CCH2H3-137S)	CALL	CALL
23	U78-57SSS	Pipe Plug, 1/4 in. NPT	7.99	8.23

Note: Model numbers with a "3" in them indicate a 3-Phase motor. Model numbers with a "2" in them indicate a 200V motor.

Note: C Series with different hydraulic numbers (CCMH-93) are older models that use different parts. Consult factory for older models.

# C/CC SERIES™ CENTRIFUGAL PUMP

## 5 HP MODEL REPLACEMENT PARTS



Item	Part No.	Description	US List	Can. List
<b>CENTRIFUGAL PUMP - C/CC SERIES 5 HP</b>				
1	C218-180	Motor 230V/60H/1 Ph.	1,223.99	1,260.71
1	C218-182	Motor 230/460V/60H/3 Ph.	CALL	CALL
1	C218-181	Motor 200V/60H/3 Ph.	CALL	CALL
3	U65-42A	Key, Impeller	11.48	11.82
4	U9-265	O-Ring	2.34	2.41
5	C2-81	Adapter [Models: CCHJ-138, CCHJ138S, CCHJ3-138S, CCH2J3-138S]	212.69	219.07
5	C2-81D	Adapter [Models: CHJ-138, CH2J3-138, CH2J3-138]	774.41	797.64
6	U43-12ZP	Lockwasher, 3/8 in.	1.32	1.36
7	U30-73ZP	Capscrew, 3/8-16 x 7/8 in.	CALL	CALL
8	C20-77	Gasket	4.91	5.06
9	U109-433SS	Shaft Seal	122.25	125.92
10	C23-58	Shaft Sleeve	115.67	119.14
11	C20-101	Gasket, Sleeve	2.97	3.06
12	C105-224DE	Impeller [Silicon Brass]	692.01	712.77
13	C20-100	Gasket, Impeller	2.97	3.06

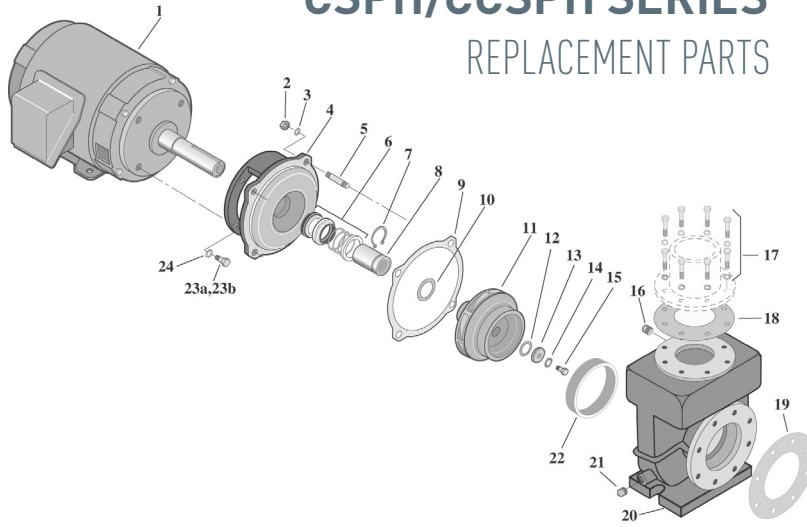
Item	Part No.	Description	US List	Can. List
14	C43-45SS	Washer, Impeller	5.74	5.91
15	C43-46	Washer, Stat-O-Seal	5.09	5.24
16	U30-72SS	Screw, Impeller 3/8-16 x 3/4 in.	3.90	4.02
17	C23-40	Wear Ring Only	94.55	97.39
18	C101-167	Volute Assembly (Incl. 17 Only) [Models: CCHJ-138, CCHJ138S, CCHJ3-138S, CCH2J3-138S]	429.82	442.71
18	C101-167D	Volute Assembly (Incl. 17 Only) [Models: CHJ-138, CH2J3-138, CH2J3-138]	1,320.07	1,359.67
20	U78-941ZPV	Pipe Plug, 1/4 in. NPT, Hex Head	1.49	1.53
21	U30-22SS	Stud, 3/8 - 16 x 1-1/4 in.	6.93	7.14
22	U36-38ZP	Nut, Hex 3/8 x 16 in. [Models: CCHJ-138, CCHJ138S, CCHJ3-138S, CCH2J3-138S]	CALL	CALL
23	U78-57SS	Pipe Plug, 1/4 in. NPT	7.99	8.23

Note: Model numbers with a "3" in them indicate a 3-Phase motor. Model numbers with a "2" in them indicate a 200V motor.

Note: C Series with different hydraulic numbers (CCMH-93) are older models that use different parts. Consult factory for older models.

# CSPH/CCSPH SERIES™ PUMP

## REPLACEMENT PARTS



Item	Part No.	Description	US List	Can. List
<b>230 VOLT/1 PHASE OR 230/460 VOLT/3 PHASE</b>				
1	S22351	Motor 230V/1 Ph. - 7-1/2 HP (Models: CSPHK-1421, CCSPHK-1421, CSPHK3-1422, CCSPHK3-1422)	2,234.47	2,301.50
1	62500-0101	Motor 230V/1 Ph. - 10 HP (Models: CSPHL-143, CCSPHL-143M, CSPHL3-1431, CCSPHL3-1431)	CALL	CALL
1	S22353	Motor 230V/3 Ph. - 7-1/2 HP (Models: CSPHK-1421, CCSPHK-1421, CSPHK3-1422, CCSPHK3-1422)	CALL	CALL
1	S22356	Motor 230V/3 Ph. - 10 HP (Models: CSPHL-143, CCSPHL-143M, CSPHL3-1431, CCSPHL3-1431)	CALL	CALL
1	S22357	Motor 230V/3 Ph. - 15 HP (Models: CSPHM3-1441, CCSPHM3-1441)	CALL	CALL
1	S28574	Motor 230V/3 Ph. - 20 HP (Models: CSPHN3-1451, CCSPHN3-1451)	CALL	CALL
1	16830-0320	Motor 230V/3 Ph. 7-1/2 HP (Models: CSPH2K3-142, CSPH2K3-142)	1,447.58	1,491.01
1	16831-0320	Motor 200V/3 Ph. - 10 HP (Models: CSPH2L3-143, CCSPH2L3-143)	1,829.41	1,884.29
1	16832-0320	Motor 200V/3 Ph. - 15 HP (Models: CSPH2M3-144, CCSPH2M3-144)	2,116.04	2,179.52
1	16833-0320	Motor 200V/3 Ph. - 20 HP (Models: CSPH2N3-145, CCSPH2N3-145)	3,198.08	3,294.02
2	S23488	Nut, 1/2 in.	4.01	4.13
3	U43-13SS	Lockwasher, 1/2 in.	CALL	CALL
3	U43-12SS	Lockwasher, 3/8 in. <sup>2</sup>	2.42	2.49
4	L05329	Bracket - 7-1/2 HP (3 Ph. Models)	275.76	284.03
4	L05328	Bracket - 10 HP (CSPH, CSPH2 Models) - 15 HP (CSPH, CSPH2 Models) - 7-1/2 (CSPH, CSPH2 Models)	283.93	292.45
4	L05779	Bracket - 20 HP (CSPH, CSPH2 Models)	509.14	524.41
4	16830-2201	Bracket - 7-1/2 HP (3 Ph. Models)	1,218.25	1,254.80
4	16830-2203	Bracket - 10 HP (CCSPH, CCSPH2 Models) - 15 HP (CCSPH, CCSPH2 Models) - 7-1/2 HP (CCSPH, CCSPH2 Models)	1,308.66	1,347.92
4	16830-2202	Bracket - 20 HP (CCSPH, CCSPH2 Models)	954.27	982.90
5	30747-0152	Stud, 1/2-13 x 1-1/2 in.	26.88	27.69
6	S32014	Mechanical Shaft Seal	135.98	140.06
6	S32015	Mechanical Shaft Seal - 20 HP	293.21	302.01

Item	Part No.	Description	US List	Can. List
7	S11207	Retaining Ring	17.80	18.33
7	S16767	Retaining Ring - 20 HP (Models: CSPHN3-1451, CCSPHN3-1451)	39.53	40.72
8	37447-0001L	Shaft Sleeve	204.89	211.04
8	37447-0002L	Shaft Sleeve - 20 HP	CALL	CALL
9	S04757	Gasket (Volute to Bracket)	13.84	14.26
10	33455-8044	Gasket (Impeller to Shaft Sleeve)	6.68	6.88
10	33455-8046	Gasket (Impeller to Shaft Sleeve) - 20 HP	6.68	6.88
11	16830-0209	Impeller - 7-1/2 HP	1,344.61	1,384.95
11	16830-0210	Impeller - 10 HP	1,212.33	1,248.70
11	16830-0211	Impeller - 15 HP	1,385.38	1,426.94
11	16830-0212	Impeller - 20 HP	1,663.80	1,713.71
12	33455-8043	Gasket (Impeller to Washer)	6.68	6.88
12	33455-8045	Gasket (Impeller to Washer) - 20 HP	6.68	6.88
13	38917-0203	Impeller Washer	61.24	63.08
13	38917-0204	Impeller Washer - 20 HP (Models: CSPHN3-1451, CCSPHN3-1451)	73.49	75.69
14	C43-46SS	Stat-O-Seal Washer	15.44	15.90
14	C43-46SSA	Stat-O-Seal Washer - 20 HP (Models: CSPHN3-1451, CCSPHN3-1451)	19.66	20.25
15	S23566	Capscrew, 3/8-16 x 1 in. <sup>1</sup>	CALL	CALL
15	S23619	Capscrew, 1/2-13 x 1 in. <sup>2</sup>	6.38	6.57
16	U78-57DT	Pipe Plug 1/4 in. NPT	3.68	3.79
17	16830-0400	Hardware Kit	69.89	71.99
18	33450-8042	Gasket (Volute Discharge)	16.29	16.78
19	33450-8041	Gasket (Volute Suction)	22.90	23.59
20	16830-0100	Volute (CSPH, CSPH2)	3,274.23	3,372.46
20	16830-2102	Volute (CCSPH) - 7-1/2 HP, 10 HP	5,954.09	6,132.71
20	16830-2103	Volute (CCSPH) - 15 HP, 20 HP <sup>1</sup>	5,994.20	6,174.03
20	16830-0100	Volute (CSPH2, CSPH2)	3,274.23	3,372.46
20	16830-2102	Volute (CCSPH2) - 7-1/2 HP, 10 HP	5,954.09	6,132.71
21	U78-59D	Drain Plug, 1/2 in. NPT	8.98	9.25
22	16830-0120	Wear Ring	103.44	106.54
23A	S23619	Capscrew, 1/2-13 x 1 in. <sup>1</sup>	6.38	6.57
23B	S23566	Capscrew, 3/8-16 x 1 in. <sup>2</sup>	CALL	CALL
24	U43-13SS	Lockwasher, 1/2 in.	CALL	CALL

<sup>1</sup> 7-1/2 HP; 1 Phase only.

<sup>2</sup> 3 Phase only.