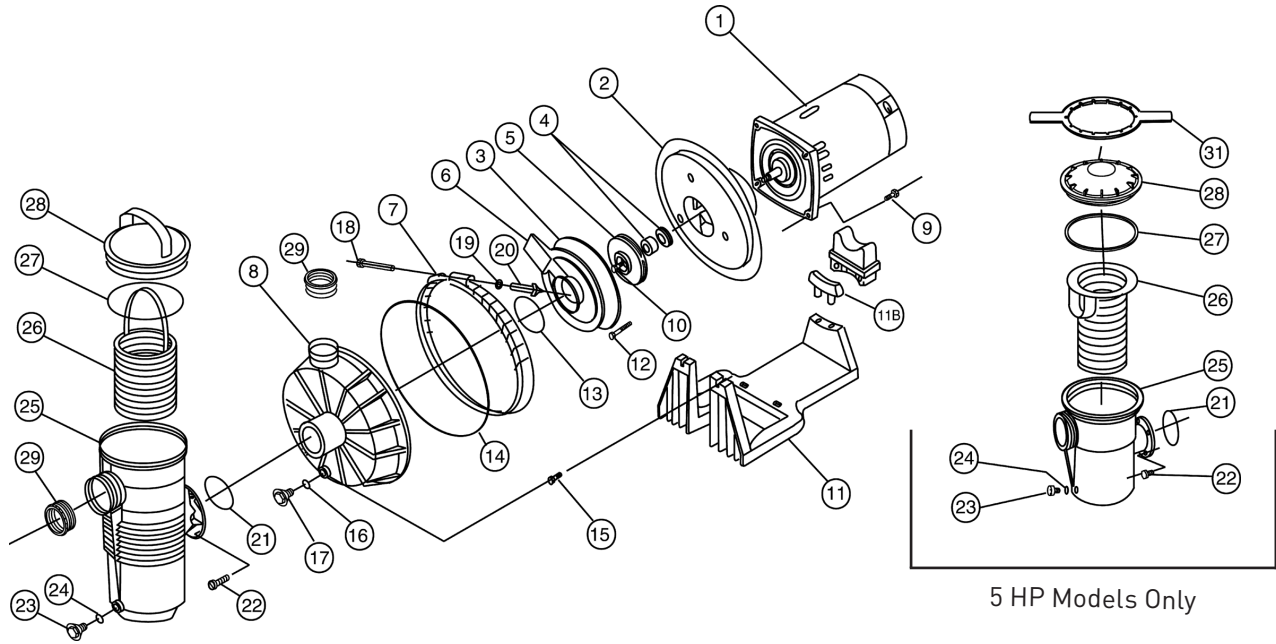


CHALLENGER® HIGH FLOW PUMP

REPLACEMENT PARTS



Item	Part No.	Description	US List	Can. List
CHALLENGER HIGH FLOW PUMPS MOTORS				
1	355371S	1/2F, 3/4A std. sq. flg., 115/230, 25 lbs.	268.88	276.95
1	355339S	3/4F, 1A std. sq. flg., 115/230, 25 lbs.	304.95	314.10
1	355340S	1F, 1-1/2A std. sq. flg., 115/230, 28 lbs.	339.01	349.18
1	355342S	1-1/2F, 2A std. sq. flg., 230 only, 32 lbs.	420.04	432.64
1	355702S	2F, 2-1/2A std. sq. flg., 230 only, 32 lbs.	496.13	511.01
1	355703S	3F std. sq. flg. 230 only	645.45	664.81
1	355391S	3/4FE, 1AE sq. flg. 115/208/230, 32 lbs.	325.78	335.55
1	355392S	1FE, 1-1/2AE sq. flg. 115/208/230, 34 lbs.	353.76	364.37
1	355393S	1-1/2FE, 2AE sq. flg. 208/230, 30 lbs.	430.63	443.55
1	355394S	2FE, 2-1/2AE sq. flg. 208/230, 36 lbs.	513.25	528.65
1	355395S	3FE, 1 ph sq. flg. 208/230, 40 lbs.	648.76	668.22
1	355398S	3FE, 3 ph sq. flg. 208/230/460, 22 lbs., black	661.16	680.99
1	355375S	3/4F, 1A std. sq. flg. 2 sp. 115 only, 28 lbs.	443.51	456.82
1	355232S	3/4F, 1A std. sq. flg. 2 sp. 230 only, 28 lbs.	402.92	415.01
1	355376S	1F, 1-1/2A std. sq. flg. 2 sp. 230 only, 33 lbs., black	456.28	469.97
1	355377S	1-1/2F, 2A std. sq. flg. 2 sp. 230 only, 36 lbs.	552.40	568.97

Item	Part No.	Description	US List	Can. List
1	355378S	2F, 2-1/2A std. sq. flg. 2 sp. 230 only, 39 lbs.	690.56	711.28
1	355704S	5FE, 3 ph, 5 HP, 230/460 sq. flg. only	803.66	827.77
1	355705S	5FE, 1 ph, 5 HP	809.67	833.96
1	355201S	3/4 HP, 3 ph sq. flg. CHII-NI	347.69	358.12
1	355203S	1 HP, 3 ph sq. flg. CHII-NI	393.74	405.55
1	355204S	1-1/2 HP, 3 ph sq. flg. CHII-NI	491.16	505.89
1	355205S	2 HP, 3 ph sq. flg. CHII-NI	546.19	562.58
2	355004	Plate, seal - black	93.04	95.83
3	355028	Plate, mounting 1/2F, 3/4F, 3/4A, 1A	21.69	22.34
3	355078	Plate, mounting 1F, 1-1/2F, 1-1/2A, 2A	13.65	14.06
3	355095	Plate, mounting 2F, 2-1/2A	23.57	24.28
3	355495	Plate, mounting 5F	12.60	12.98
4	354545S	Seal, 5/8 in. mechanical	26.21	27.00
5	355043	Impeller, 1/2F, 3/4A	49.83	51.32
5	355067	Impeller, 3/4F, 1A	50.81	52.33
5	355074	Impeller, 1F, 1-1/2A	51.43	52.97
5	355086	Impeller, 1-1/2F, 2A	51.78	53.33
5	355093	Impeller, 2F, 2-1/2A	52.73	54.31
5	355068	Impeller, 3F 50 Hz/5F 60 Hz	50.81	52.33
6	355029	Diffuser, 1/2F, 3/4F, 3/4A, 1A	37.03	38.14
6	355077	Diffuser, 1F, 1-1/2F, 1-1/2A, 2A	37.03	38.14
6	355094	Diffuser, 2F, 2-1/2A	39.69	40.88
6	355069	Diffuser, 3F, 50 Hz/5F 60 Hz	34.25	35.28
7	355320	Band clamp assembly, complete	79.33	81.71

CHALLENGER® HIGH FLOW PUMP (CONT'D)

REPLACEMENT PARTS



Item	Part No.	Description	US List	Can. List
CHALLENGER HIGH FLOW PUMPS				
8	355468	Housing, front, black ⁴	135.82	139.89
8	355469	Housing, front, almond ⁴	135.82	139.89
9	354290	Screw, 3/8 in., 16 hex hd., 4 req.	2.43	2.50
10	355389	Screw, impeller locking	1.42	1.46
11	355305	Base, pump ¹	45.29	46.65
11B	355385	Adapter, 5-5/8 in. dia. motor ²	11.56	11.91
12	355334	Screw, No.8, 32 hex wsh. hd., 3 req.	1.42	1.46
13	355030	O-ring, diffuser (all except 5 HP)	8.58	8.84
13	355331	O-ring diffuser, 5 HP only	1.53	1.58
14	355329	O-ring, front housing	15.36	15.82
15	355335	Screw, 5/16, 18 x 1/2 in. SS hex hd., 2 req.	1.42	1.46
16	192115	O-ring, drain plug	1.15	1.18
17	357161	Plug, 1/4 in. drain	3.67	3.78
18	152060	Bolt, 5/16, 18 x 4 in. carriage ²	9.80	10.09
19	072173	Washer, 5/16 in. SS flat	1.62	1.67
20	174882	Knob (fits clamp w/ removable bolt only)	32.21	33.18
20	175025	Knob (fits clamp w/ captured T-bolt only)	32.21	33.18
21	355330	O-ring, strainer pot flange	1.62	1.67
22	354265	Screw, 5/16, 18 hex wsh. hd., 4 req.	1.95	2.01
23	357161	Plug, 1/4 in. drain	3.67	3.78
24	192115	O-ring, drain plug	1.15	1.18
25	355300	Strainer, pot, black ³	133.89	137.91
25	355900	Strainer, pot, 5F 3 in. suction for all large strainer pot models, black	479.56	493.95
26	355318	Basket, plastic strainer	37.58	38.71
26	355441	Basket, SS Strainer (3F Only)	173.08	178.27
26	355901	Basket, SS strainer, 5F	375.20	386.46
27	350013	O-ring, lid	2.82	2.90
27	152509	Square ring, 8-1/2 in. (5 HP only)	6.72	6.92
28	355301	Lid, strainer pot	58.95	60.72
28	354112	Lid, strainer pot, chemical resistant	58.95	60.72
28	355902	Lid, strainer pot, 5F, clear	68.39	70.44
28	355914	Lid, strainer pot, 5F, black, chemical resistant	57.52	59.25
29	552377	Bushing, reducer 1/2F, 3/4F, 3/4A, 1A, 2 req.	13.10	13.49
31	154527	Wrench, 8-1/2 in.	26.84	27.65

Item	Part No.	Description	US List	Can. List
POWER END ASSEMBLIES (INCLUDES ITEMS 1-6, 9, 12 AND 13)				
	355637	CF-N1-3/4F, 1A std., 115/230	952.49	981.06
	355638	CF-N1-1F, 1-1/2A std., 115/230	1,020.66	1,051.28
	355520	CF-N1-1-1/2F, 2A std., 230 only	1,202.39	1,238.46
	355984	CF-N1-3/4FE, 1AE 115/208/230	980.04	1,009.44
	355639	CF-N1-1-1/2FE, 2AE 208/230	1,207.59	1,243.82
	355986	CF-N1-2FE, 2-1/2AE 208/230	1,530.81	1,576.73
	355640	CF-N2-3/4F, 1A 2 sp. std., 115 only	1,226.22	1,263.01
	355641	CF-N2-1F, 1-1/2A 2 sp. std., 230 only	1,260.46	1,298.27
	355642	CF-N2-1-1/2F, 2A 2 sp. std., 230 only	1,462.68	1,506.56
	355987	CF-N2-2F, 2-1/2A 2 sp. std., 230 only	1,739.56	1,791.75
	345211	CFII-N1-5FE, power end	1,749.61	1,802.10
	345301	CFII-N1-5F, 3 ph, power end	1,669.44	1,719.52
NOT SHOWN				
	355309	Union kit	100.35	103.36
	357391	Pot Assembly, Black with SS basket (3F Only) Includes items 23-28	631.35	650.29
	359507	Pot Assembly, Black with plastic bracket (all models except 3F and 5F) Includes items 23-28.	236.31	243.40

¹ Pump base (item 11) includes dual radius motor support adapter (item 11B) which fits both 5-5/8 in. & 6-1/2 in. dia. motors.

² Item 18, carriage bolt is a replacement part for old style clamp band assembly (item 7).

³ Includes items 23 & 24.

⁴ Includes items 16 & 17.

Note: Challenger booster pumps consist of 1-20.

Note: Challenger pumps consist of all items except No.15.

Note: When ordering replacement motor, give all information on motor name plate.

Product on pages 166-167.

Replacement baskets on page 132.