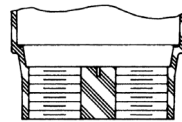
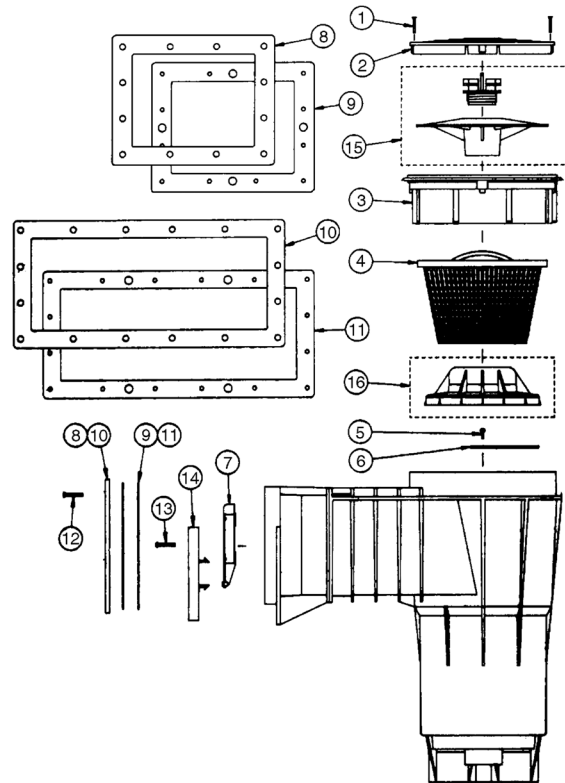


BERMUDA™ SKIMMERS

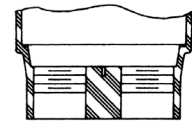
REPLACEMENT PARTS FOR GUNITE & VINYL LINER SKIMMERS



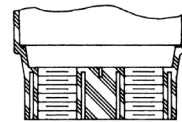
Item	Part No.	Description	US List	Can. List
BERMUDA SKIMMERS				
1	516242	Screw, No.8-32 x 1 in. SS, 2 req.	1.23	1.27
2	516215	Deck lid, white	23.92	24.64
2	516216	Deck lid, tan	23.92	24.64
2	516306	Deck lid, black	23.92	24.64
3	516259	Deck collar, vinyl, white	26.41	27.20
3	516260	Deck collar, vinyl, tan	28.27	29.12
3	516307	Deck collar, vinyl, black	31.91	32.87
3	516253	Deck collar, gunite, white	21.11	21.74
3	516258	Deck collar, gunite, tan	24.65	25.39
3	516329	Deck collar, gunite, black	26.98	27.79
4	516112	Basket	25.97	26.75
5	516243	Screw, No.8 x 1/2 in. SS	0.27	0.28
6	516228	Trimmer plate	4.95	5.10
7	516252	Weir gate assembly, white	19.57	20.16
7	516315	Weir gate assembly, black	21.85	22.51
8	516264	Face plate kit, standard throat, white	78.67	81.03
8	516324	Face plate kit, standard throat, black	58.14	59.88
9	552566	Gasket, standard throat, 2 req.	6.56	6.76
10	516265	Face plate kit, widemouth throat, white	78.38	80.73
10	516318	Face plate widemouth, black	83.61	86.12
11	516231	Gasket, widemouth throat, 2 req.	10.20	10.51
12	516239	Screw, No. 12-8 x 1 in. SS, std. face plate	1.23	1.27
12	516345	Screw, No.12-8 x 1-1/4 in. SS, std. face plate	CALL	CALL
13	516241	Screw, No.12-8 x 1-1/4 in. SS, 4 req.	4.95	5.10
14	516237	Flange spacer, 3 req.	4.95	5.10
OPTIONS				
15	506161	Vacuum plate assembly	21.46	22.10
16	506160	Float valve assembly	56.35	58.04
16	195829	2 in. O-ring style plug	7.61	7.84
16	192323	2 in. O-ring for 195829 plug	5.77	5.94
16	191474	1-1/2 in. O-ring for 191368 plug	0.80	0.82
16	506162	Equalizer valve assembly	43.34	44.64
NOT SHOWN				
	516254	Lid/collar set, white	73.36	75.56
	516328	Lid/collar set, black	73.36	75.56
	516261	Lid/collar set, tan	73.36	75.56



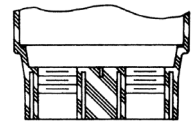
2 in. NPSM Thread



2 in. NPSM Thread
2 in. Slip



1-1/2 in. NPSM Thread



1-1/2 in. NPSM Thread
1-1/2 in. Slip

Product on pages 266–267.

Replacement baskets on page 132.

¹ For skimmers manufactured after 2/1/93.