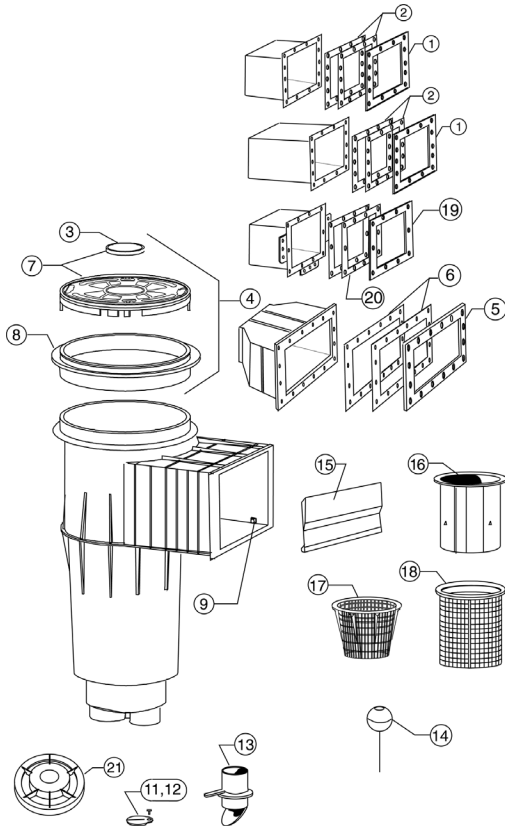


# ADMIRAL™ SKIMMERS

## REPLACEMENT PARTS



Item	Part No.	Description	US List	Can. List
<b>ADMIRAL SKIMMERS</b>				
1	85004200	Frame, sealing liner, white std. 12 hole pattern	18.99	19.56
1	85004211	Frame, sealing liner, black std. 12 hole pattern	18.99	19.56
1	85004213	Frame, sealing liner, grey std. 12 hole pattern	18.99	19.56
2	85001600	Gasket set, liner, std. 12 hole pattern	27.10	27.91
3	510161	Disk, logo	4.60	4.74
4	85000400	Lid/ring seat, complete, white	42.42	43.69
4	85000411	Lid/ring seat, complete, black	35.62	36.69
4	85018000	Lid/ring seat, complete, tan	55.11	56.76
5	85007600	Frame, sealing liner, wide mouth, white	39.46	40.64
6	85007700	Gasket, sealing liner, wide mouth [2], white	35.47	36.53
7	85007400	Lock down lid, white	29.48	30.36
7	85007411	Lock down lid, black	23.92	24.64
7	85007413	Lock down lid, grey	23.68	24.39
7	85007430	Lock down lid, tan	29.15	30.02
8	85000600	Ring seat only, 9 in. diameter, white	14.04	14.46
8	85017900	Ring seat only, 9 in. tan	17.91	18.45
9	85017500	Pivot tab for flap weir	1.10	1.13

Item	Part No.	Description	US List	Can. List
11	85002400	Trimmer valve plate, residential	4.95	5.10
12	98204400	Screw for trimmer plate, 10-24 x 1/2 in.	2.18	2.25
13	85002600	Vari-flo control insert only	10.71	11.03
14	85002000	Ball valve assembly, complete	23.75	24.46
15	85001500	Flap weir	27.10	27.91
16	R38013B	Floating weir, circular	14.78	15.22
17	85014500	Basket, tapered	22.72	23.40
17	85014600	Basket, tapered (S-20 Model Only)	12.27	12.64
18	R38013A	Basket, for floating weir	21.38	22.02
19	85000300	Frame, liner, American 10 hole pattern	45.38	46.74
20	81111800	Gasket set, large 10 hole pattern, w/ dbl. wall	14.42	14.85
20	81111700	Gasket set, large 10 hole pattern, w/o dbl. wall	14.42	14.85
21	85015200	Equalizer assembly	42.21	43.48
<b>NOT SHOWN</b>				
	98202600	Screw, sealing <sup>1</sup>	3.63	3.74
	98202700	Screw, sealing <sup>1</sup>	3.67	3.78
	98202900	Screw, sealing <sup>2</sup>	1.73	1.78
	98207200	Screw, sealing <sup>2</sup>	CALL	CALL
	98203000	Screw <sup>2</sup>	2.04	2.10
	85008500	Screw kit, American 10 hole pattern	CALL	CALL
	85008600	Screw kit, American 10 hole pattern, extra long	19.15	19.72
	85008700	Screw kit, std. 12 hole pattern	19.15	19.72
	85008800	Screw kit, std. 12 hole pattern, extra long	19.15	19.72
	85015100	O-ring, skimmer bottom	7.61	7.84
	355330	O-ring, equalizer	1.62	1.67
	85016600	Rubber stopper, flap weir	4.93	5.08
	98213000	Screw, 8-32 x 5/8 in. commercial lid	1.74	1.79
	98208500	Washer, gum commercial lid	1.81	1.86
	85014700	Handle, basket	4.91	5.06
	85007200	Angle bracket	CALL	CALL
	85012800	Track-VF skimmer	CALL	CALL
	85014200	Trimmer, equalizer	CALL	CALL
	85009500	Skimmer Lid (Old Style)	25.27	26.03

<sup>1</sup> Used on skimmers manufactured before 2-1-76.

<sup>2</sup> Used on skimmers manufactured after 2-1-76.

Product on pages 264–265.

Replacement baskets on page 132.