

YC SERIES™ 50 HZ

COMMERCIAL CAST IRON PUMPS
WITH HAIR AND LINT STRAINER



FEATURED HIGHLIGHTS

- Motor CE approved, TEFC, IP55, 50Hz, 1450 RPM.
- YC-series from 5.5HP up to 15HP incl. pre-filter.
- Pump and strainer are epoxy coated to provide additional performance and corrosion resistance.
- Enclosed stainless steel impeller (SS304).
- Pre-filter has a see-through lid, air relief and drain for easy maintenance.
- Stainless Steel basket (SS304).
- 1450 RPM Motor.
- Impeller (SS316) can be made in 316SS on request.

Commercial Cast Iron pump, especially designed for competition and public swimming pools, aquatic facilities, water parks and water features.

ORDERING INFORMATION

Product	Voltage	HP	KW	Phase	Insulation Class	IP rating	Primary Listings and Certifications	Weight	BOX Dimensions
---------	---------	----	----	-------	------------------	-----------	-------------------------------------	--------	----------------

YC - Series - Cast Iron Coated Commercial Pumps with Prefilter (1450 RPM) - 50 Hz

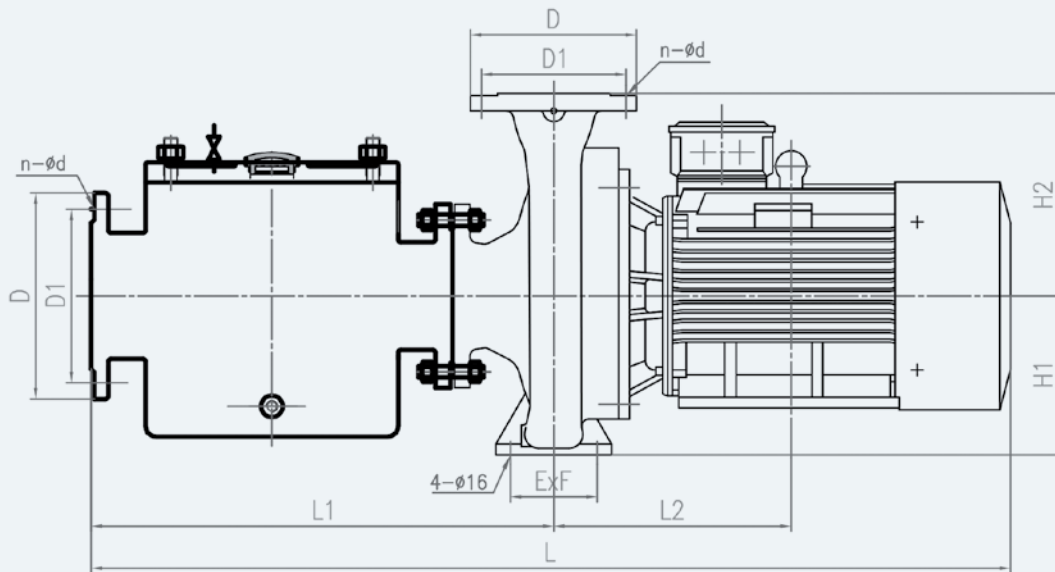
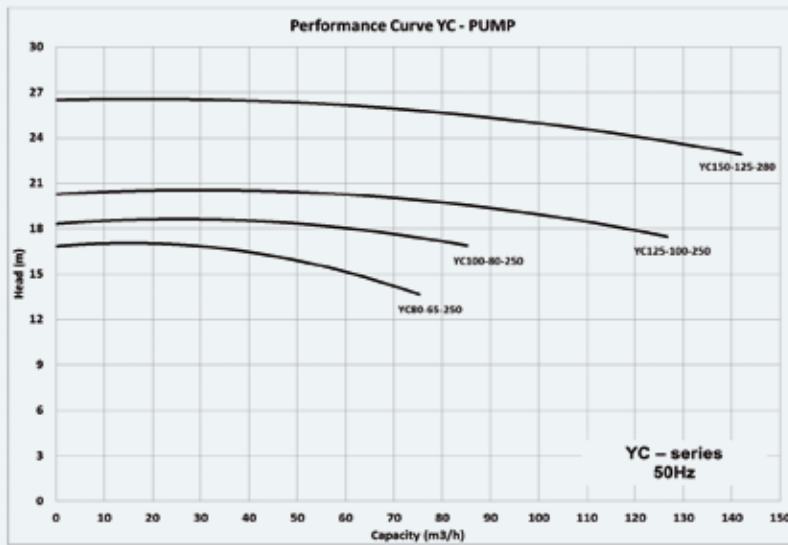
YC80-65-250	380 V	5.50 HP	4.00 KW	3~	F	IP 55	Motor = CE	157 Kg	1050 x 520 x 660mm
YC100-80-250	380 V	7.50 HP	5.50 KW	3~	F	IP 55	Motor = CE	167 Kg	1130 x 530 x 720mm
YC125-100-250	380 V	10.00 HP	7.50 KW	3~	F	IP 55	Motor = CE	180 Kg	1300 x 550 x 800mm
YC150-125-250	380 V	15.00 HP	11.00 KW	3~	F	IP 55	Motor = CE	240 Kg	1400 x 570 x 840mm

PUMPS
50 HZ
COMMERCIAL

YC SERIES™ 50 HZ (CONT'D)

COMMERCIAL CAST IRON PUMPS
WITH HAIR AND LINT STRAINER

DIMENSIONS AND PERFORMANCE



YC Pumps

YC Pump Type	Outline Dimension						Inlet Dimension				Discharge Dimension			
	L1	L2	L	ExF	H1	H2	DN	D	D1	n-d	DN	D	D1	n-d
YC80-65-250	432	315	985	100x315	180	250	∅100	∅220	∅180	8-∅18	∅65	∅185	∅145	4-∅18
YC100-80-250	484	338	995	130x315	200	280	∅125	∅250	∅210	8-∅18	∅80	∅200	∅160	8-∅18
YC125-100-250	587	360	1145	160x315	225	315	∅150	∅285	∅240	8-∅22	∅100	∅220	∅180	8-∅18
YC150-125-280	653	385	1293	200x315	250	355	∅200	∅340	∅295	12-∅22	∅125	∅250	∅210	8-∅18

All dimensions shown in millimeters.