

FOUNTAIN FIXTURES FOR DECORATIVE FOUNTAINS



BRING FOUNTAINS TO LIFE WITH BRILLIANT WHITE OR DAZZLING COLOR

Pentair® Fountain Fixtures are the only fixtures that offer true color lighting capabilities. When combined with IntelliBrite® 5g Pool and Spa Lights, these systems will bathe fountains in a constantly changing spectrum of color. Both large and small fixtures are designed for easy installation; just assemble the cradle assembly, drop in the light and install the rock guard.

- Sturdy cast bronze construction with attractive natural bronze finish.
- Base and yoke-mount rotate 360° and pivot 180°.
- Large fixture for use with IntelliBrite 5g pool lights listed for fountain use.
- Small fixture for use with IntelliBrite 5g spa lights and SpaBrite® Lights listed for fountain use.

NICHE MOUNT KITS

Large lights – Part No. 560002
Small lights – Part No. 560003
Light and niche sold separately



FOUNTAIN FIXTURES FOR DECORATIVE FOUNTAINS

Simple design for quick and easy assembly

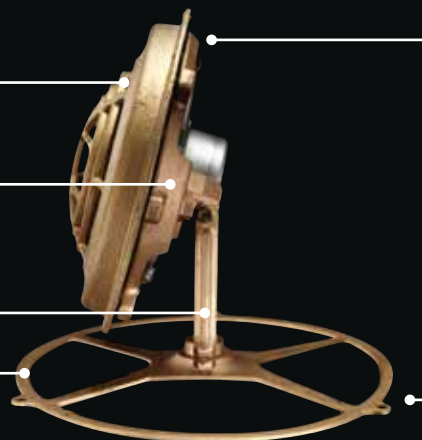
Rock guard

Light support ring

Yoke

Base

Cradle assembly

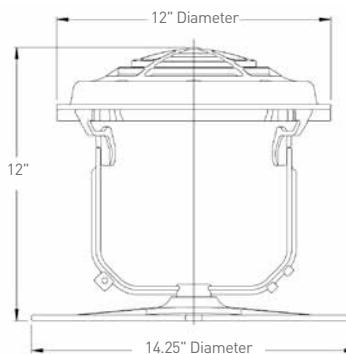


BATHE FOUNTAINS WITH BRILLIANT WHITE OR A SPECTRUM OF COLOR

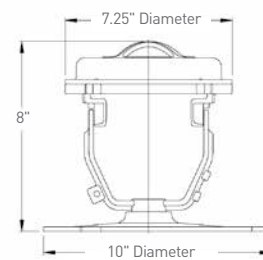
IntelliBrite® 5g Pool and Spa Lights allow you to highlight your fountain in a custom color, or slowly roll through the entire color spectrum.

Additional features include:

- Integrated bonding lug for electrical safety.
- Strain-relief prevents damage to wiring connections.
- Niche installation option available.
- UL Listed with Pentair® lights only.
- One-year limited warranty.
- See warranty for details.



Fountain Fixture
for large lights
Part No. 560000
(Light sold separately)



Fountain Fixture
for small lights
Part No. 560001
(Light sold separately)

AVAILABLE FROM:



1620 HAWKINS AVE, SANFORD, NC 27330 800.831.7133 WWW.PENTAIRPOOL.COM

All Pentair trademarks and logos are owned by Pentair, Inc. IntelliBrite® and SpaBrite® are registered trademarks of Pentair Water Pool and Spa, Inc. and/or its affiliated companies in the United States and/or other countries. Because we are continuously improving our products and services, Pentair reserves the right to change specifications without prior notice. Pentair is an equal opportunity employer.

pumps • filters • heaters • heat pumps • automation • lighting • cleaners • sanitizers • water features • maintenance products

5/13 Part # P1-536 ©2013 Pentair Aquatic Systems. All rights reserved.