



EQ SERIES® HIGH PERFORMANCE COMMERCIAL PUMP

FOR COMMERCIAL AND HIGH-END RESIDENTIAL SWIMMING POOLS AND OTHER WATER APPLICATIONS



EQ Series pumps are designed for maximum efficiency and quiet operation in every detail. They are the only non-corrosive, all plastic pumps designed for the commercial pool and water applications market.

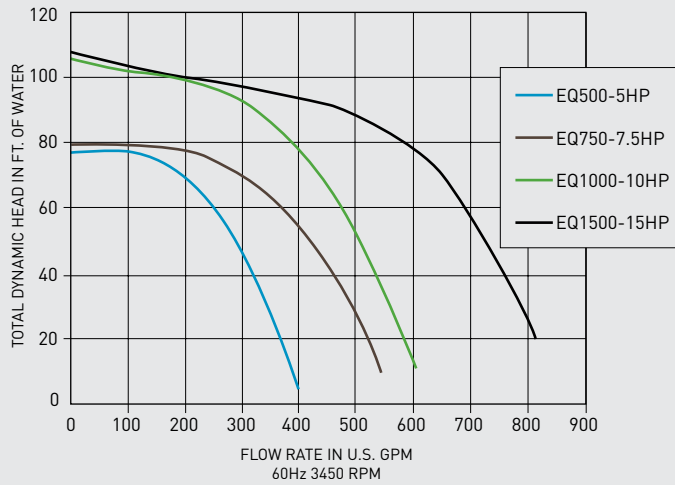
The EQ Series pump impellers are manufactured for true breakthrough performance, allowing for lower loads and longer motor life. Available with and without the strainer pot. Available in flows to 800 GPM, and from 3 to 15 HP.

STANDARD FEATURES

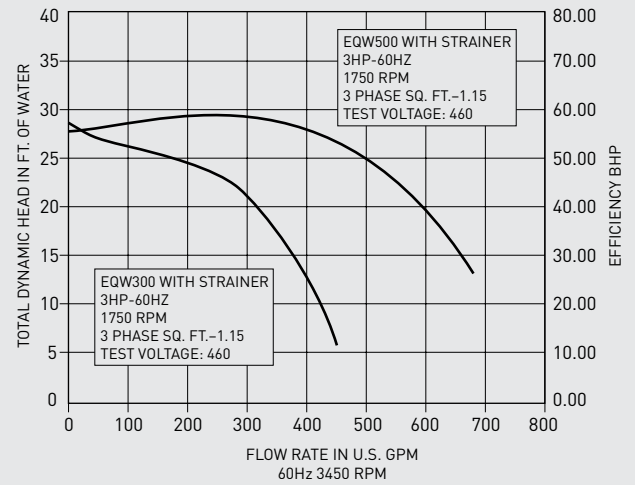
- Close coupled for quiet, stable flow operation.
- Lightweight for easy, one-man installation.
- Clear Cam and Ramp™ Lid for added service convenience.
- 6" suction and 4" discharge with strainer pot.
- Closed impeller for long life and durability.
- Available in single- and three-phase models.
- Great for use with Acu Drive™ XS Variable Frequency Drives.
- Self-priming under NSF standards; NSF listed.

EQ SERIES® HIGH PERFORMANCE COMMERCIAL PUMP

EQ Series Commercial Pump Performance Curve



EQ Series WaterFall™ Pump Performance Curve



MATERIALS AND DESIGN

Pump Body

Volute type, back pull-out design.

- **Port Size**
6" – ANSI Rated 150 bolted flange suction port¹.
4" – ANSI Rated 150 bolted flange discharge port¹.
- **Material - Volute & Motor Adapter**
PPO Resin
- **Impeller**
PPO Resin
- **Base**
6061 aluminum design, slotted for mounting ease.
- **Corrosion Prevention**
All-plastic pump for maximum hydraulic performance and corrosion prevention.

Hair and Lint Strainer

- **Material**
Separate bolt-on PPO Resin body with plastic basket, Polycarbonate Resin Thermoplastic lid, and stainless steel bolts.
- **Size**
6" ANSI Rated 150 bolted flange suction and discharge ports.

Pump Maximum Limits

Liquid Temperature: 104° F
Ambient Air Temperature: 104° F

Motor

Standard JM type. Premium Efficient Class F insulated.

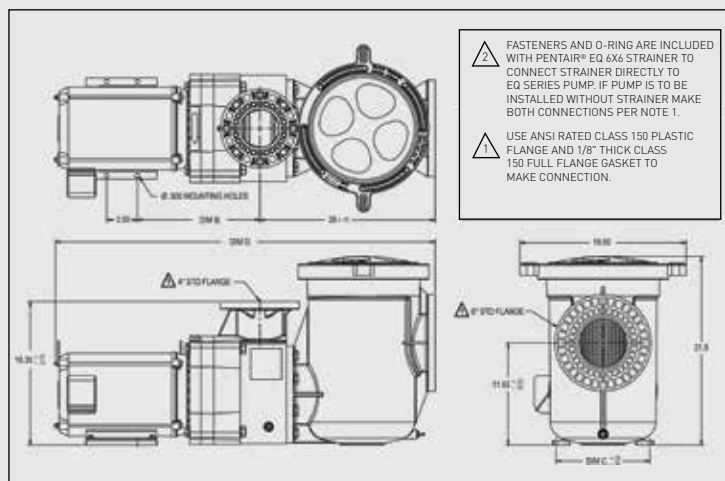
- **Frame Size**
NEMA Rated "C" flange. 230/460V are open drip-proof design.
- **Shaft**
303 stainless steel construction.
- **Design**
3 to 15 HP, 3500 RPM, JM open drip-proof, continuous duty, three-phase and single-phase (5 and 7½ HP only).
- **Bearings**
Double-shielded, single row, deep-groove type, permanently lubricated.
- **Thermal Overload Protection**
All models require external thermal overload protector.

Electrical

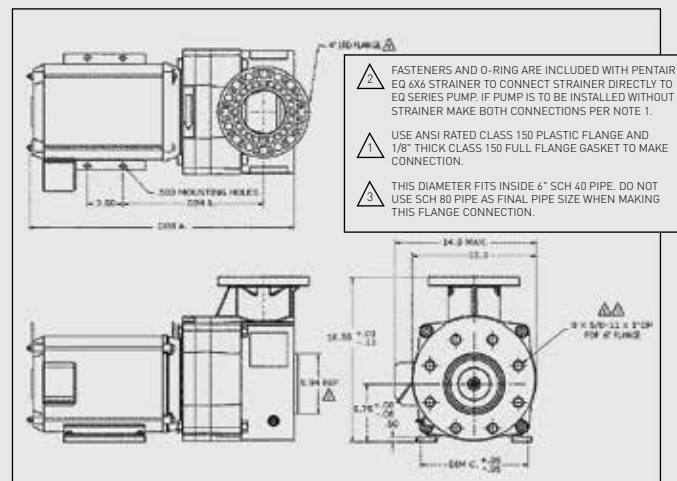
- **Power Supply Required**
Three-phase pumps are 208 – 230/460. 3, 5, 7½ and 10 HP single-phase models are available in 230V, 60 Hz. only.

¹ Use ANSI Rated class 150 plastic flange and ⅛" thick class 150 full flange gasket to make connection.

EQ Series Commercial Pump with Strainer Pot 6" x 4"



EQ Series Commercial Pump without Strainer Pot



EQ Series Commercial Pump With Strainer Pot 6" x 4"

Part #	Description	Voltage	Amps	Phase	HP	Wt	Dim. A	Dim. B	Dim. C	Dim. D
340026	EQW 300 WaterFall	115/230	38/19	1	3	97	26.62	10.03	7.5	43.590
340027	EQWK 300 WaterFall	208 - 230/460	8.4 - 7.9/3.9	3	3	77	23.12	10.16	7.5	40.094
340028	EQW 500 WaterFall	230	23.4	1	5	126	26.62	13.18	9.7	43.590
340029	EQWK 500 WaterFall	208 - 230/460	13.6 - 12.7/6.4	3	5	106	23.12	13.31	9.7	40.094
340030	EQ500	230	19.6	1	5	97	26.62	10.03	7.5	43.590
340031	EQK500	208 - 230/460	13.5 - 12.3/6.2	3	5	77	23.12	10.16	7.5	40.094
340032	EQ750	230	30.4	1	7.5	132	27.53	10.78	8.5	44.590
340033	EQK750	208 - 230/460	20.1 - 18.3/9.1	3	7.5	87	24.50	10.16	7.5	41.560
340238	EQ1000	230	40.0	1	10	179	29.0	11.50	8.5	46.29
340034	EQK1000	208 - 230/460	27.1 - 24.3/12.2	3	10	117	26.31	10.78	8.5	43.290
340035	EQK1500	208 - 230/460	40.0 - 36.0/17.8	3	15	132	26.31	10.78	8.5	43.290

340013	Strainer Pot Assembly including Strainer, Lid, Basket and Hardware
--------	--

EQ Series LC Pump Without Strainer Pot 6" x 4"

Part #	Description	Voltage	Amps	Phase	HP	Wt
340014	EQW 300 WaterFall	115/230	38/19	1	3	97
340016	EQWK 300 WaterFall	208 - 230/460	8.4 - 7.9/3.9	3	3	77
340017	EQW 500 WaterFall	230	23.4	1	5	97
340018	EQWK 500 WaterFall	208 - 230/460	13.6 - 12.7/6.4	3	5	77
340019	EQ500	230	19.6	1	5	97
340020	EQK500	208 - 230/460	13.5 - 12.3/6.2	3	5	77
340021	EQ750	230	30.4	1	7.5	132
340022	EQK750	208 - 230/460	20.1 - 18.3/9.1	3	7.5	87
340237	EQ1000	230	40.0	1	10	146
340023	EQK1000	208 - 230/460	27.1 - 24.3/12.2	3	10	117
340024	EQK1500	208 - 230/460	40.0 - 36.0/17.8	3	15	132

EQ Series pumps are available in 575V and 50 Hz models. Please contact your local sales representative or Pentair office for details.

EQ SERIES® HIGH PERFORMANCE COMMERCIAL PUMP



ENGINEERING SPECIFICATIONS

EQ Series pump

- Recirculation pump shall be Pentair® EQ Series pump Model No. _____ self-priming centrifugal pump, _____ phase, 60 Hz.

General Notes

- Install pump in a cool, dry, well-vented location away from pool heaters and chemical storage.
- Pump should be firmly mounted with pipe supported to prevent vibration and undue operational noise.
- Allow 12" minimum clearance behind motor for servicing.
- Motor overheating may be caused by a voltage drop or excessive voltage. Be sure that wire size and voltage input is properly regulated.

Specifications

- The recirculation pump shall be a self-priming, centrifugal design with a hair and lint strainer as shown in the plans.
- The pump body, seal plate, and attached hair and lint strainer shall be constructed of non-corrosive PPO Resin materials, and close-coupled to an electric motor by means of an adaptor of the same material. The pump body shall have a single suction port with a 6" ANSI Rated 125 bolt flange to the hair and lint strainer. A centerline discharge port of 4" ANSI Rated 125 bolt flange and a winterizing drain port of 1/4" NPT shall be a part of the design.
- The pump shall be a back pull-out design to allow servicing without disturbing piping. The pump shall have a PPO Resin diffuser to aid in priming and it shall contain a replaceable bronze wear ring for the impeller. The impeller shall be of the closed type and PPO Resin, non-overloading at any point on the performance curve. The mechanical shaft seal shall be constructed of ceramic and carbon seal faces, with stainless steel, brass and Buna N materials in the spring bellows portion. The impeller shall be secured to the motor shaft by means of a stainless steel key and locking screw into the end of the motor shaft. The pump shall be capable of operating at up to 50 psi, 104° F continuous water temperature.

- The electric motor coupled to the pump shall be of the NEMA Rated series JM construction with stainless steel shaft inside a removable shaft sleeve of 300 series stainless steel. The motor shall be of an open, drip-proof design (unless otherwise specified) with double-shielded, single row, deep-groove ball bearings. Motors shall be continuous duty rated at 40° C (or better) ambient and be suitable for outdoor installation.
- The pump motor shall be a ___ HP, ___ phase, 60 Hz, 3450 RPM for service on a ___ volt electric supply. The pump shall be rated for _____ GPM at ___ TDH. The pump shall be tested and certified by a nationally recognized testing laboratory to conform to National Sanitation Foundation Standard 50.

Hair and Lint Strainer

- The pump strainer shall consist of a PPO Resin body, Polycarbonate Resin Thermoplastic cover with O-ring seal, and Cam and Ramp™ Lid, and a strainer basket of mineral reinforced polypropylene material.
- The strainer body shall be 6" ANSI Rated 150 bolt flanged suction and discharge ports. The strainer body shall have a removable drain plug for winterizing.
- The strainer basket shall be securely positioned below the suction inlet of the trap, with access for inspection and cleaning through a removable trap body lid. The trap body lid shall be secured by means of a locking ring. The strainer basket shall have a perforation which in total open area is 98 square inches.



1620 HAWKINS AVE, SANFORD, NC 27330 800.831.7133 WWW.PENTAIRCOMMERCIAL.COM

All Pentair trademarks and logos are owned by Pentair, Inc. EQ Series®, Cam and Ramp™, Acu Drive™ and Waterfall™ are registered trademarks and/or trademarks of Pentair Water Pool and Spa, Inc. and/or its affiliated companies in the United States and/or other countries. Because we are continuously improving our products and services, Pentair reserves the right to change specifications without prior notice. Pentair is an equal opportunity employer.